



**上海天泉泵业集团有限公司**  
SHANGHAI TIANQUAN PUMP GROUP CO.,LTD.

地址：上海市嘉松中路3568号  
Address: 3568 Jiasong Zhong Road, Shanghai  
邮编 (P.C.) : 201705  
总机(Switchboard): 021-59771616  
传真 (Fax) : 021-59772263  
售后服务热线 (After-sales service) : 021-59773189  
<http://www.tqpumps.com> E-mail:sales@tqpumps.com

SOW Series Single-stage Double-suction Centrifugal Pump

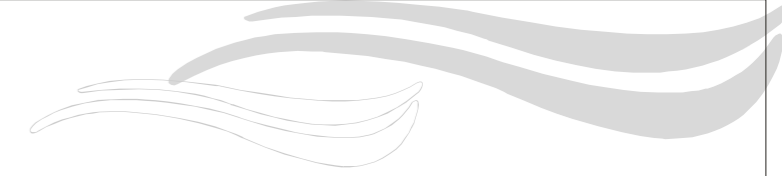
## SOW 系|列|单|级|双|吸|离|心|泵



**上海天泉泵业集团有限公司**  
SHANGHAI TIANQUAN PUMP GROUP CO.,LTD.

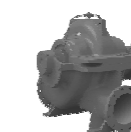
■注：本公司保留对产品设计更改权利，个别尺寸如有变动恕不事前通知。

■Note: our Co. reserves the right to modify modify the product design so as to change some of the dimensions without a prior notice.



# 目录

contents



## SOW单级双吸离心泵

- 产品概述 ..... 1  
Outline of product
- 泵的运行数据 ..... 1  
Data of running
- 结构特点 ..... 1  
Characteristic of structure
- 型号意义、主要零件材料表 ..... 2  
Model meaning, List of main parts' materials
- SOW型卧式泵结构图 ..... 3-4  
Structural drawing of model SOW horizontal pump
- SOW型泵型谱图 ..... 5-6  
SOW Type pump atlas of style
- SOW型泵性能参数 ..... 7-23  
SOW Type pump performance
- SOW型泵性能曲线图 ..... 24-50  
SOW Type pump performance curve chart
- SOW型卧式泵安装形式 ..... 51-52  
SOW type horizontal pump installation model
- SOW型泵连接法兰尺寸 ..... 52-53  
SOW type pump conjunction flange dimension
- SOW型泵安装尺寸 ..... 54-61  
SOW type pump installation dimension
- SOW型泵安装尺寸(无底座) ..... 62-66  
SOW type pump installation dimension(no foundation)
- 运行二年建议备用量 ..... 67  
Recommended reservation for 2-years use
- 订货须知 ..... 68  
Notices at order

# 简介

Introduction



上海天泉泵业集团有限公司系上海大型给排水设备制造企业，天泉牌泵系列产品2004年被评为泵制造业十大品牌。公司始建于上世纪八十年代，经天泉人不断努力，现已发展成集泵产品开发，给排水工程设计，变频调速恒压供水，消防成套及电气控制设备的实行生产、销售、服务为一体的大型现代化企业。

公司占地面积逾八万m<sup>2</sup>，建有二个生产基地，位于上海松江久富开发区的一期工业园是天泉泵产品开发科研基地，设有国家B级标准水泵测试中心；位于青浦腾溪开发区的二期工业园是天泉电气柜产品的设计、制造中心。天泉产品因其质量优良，高效节能，安全可靠，价格合理，深受用户青睐，畅销除台湾以外的所有省、市、并出口海外，覆盖于建筑、消防、环保、电力、暖通、石油、化工、医药、造纸、农灌等行业和领域，包括一大批国家重点工程都有天泉产品在运行。

多年来公司秉承“质量、诚信、服务”的宗旨，赢得了社会普遍的首肯和赞誉，多次荣获上海松江区文明单位、优秀企业等称号，先后通过了多项专业认证，并于2003年一次通过ISO9001:2000版国际质量体系认证，企业的现代化管理跃上一个新台阶。

天泉企业在全国各省、市设有50多家分支机构和完备的售后服务网络，可为用户提供优质的专业服务和可靠的技术支持，并在沈阳、北京、石家庄、济南、杭州、兰州等地备有天泉各种产品和配件，可随时满足客户需要。

迈入新世纪的天泉将坚持弘扬“以人为本，贡献社会”的企业理念，依靠科技进步，不断精益求精，在水领域创造出新的辉煌。

天泉产品不求最好，只求更好。银河之水出天泉，天泉是您理想的选择，我们热诚欢迎社会各界莅临我公司考察惠顾，共创美好明天！

Shanghai Tianquan Pump Group Co. Ltd is a large-scale water supply and drainage equipment manufacturer of Shanghai and the TIANQUAN brand series pumps were elected as one of the 10 great brands of the pump manufacture industry in 2004. Through continual hard work of Tianquan people since the establishment in 1980's, this Co. has now become a large-scale modern enterprise integrating pump product development, water supply and drainage engineering design, converter speed adjustable constant pressure water supply, completed fire-fighting and electric control equipments production, sale and service.

This Co.holds a land area up to 80,000m<sup>2</sup>and two production bases. The first-phase industrial zone located at Shanghai Songjiang Jiufu Development Area is the product development and science research base and there is a B national-grade standard water pump testing center; the second phase one located at Qingpu Tengxi Development Area is the design and manufacture center for electric cabinet products. Tianquan products, because of the excellent quality, high efficiency, energy saving and reasonable price, are greatly favored by the users and well sold to the provinces and cities all over the country except Taiwan Province and abroad, covering construction, fire-fighting, environmental protection, electric power, warming, petroleum, chemical industry, medicine, paper-making, agricultural irrigation etc. trades and fields, used in a big lot of the national key projects.

For years, by following the aim "quality, sincerity, service", this Co. has been well confirmed and evaluated by the society, many times awarded with the titles of a civilized company of Shanghai Songjiang District, an excellent enterprise etc. and, early or late, accredited to several special approvals, including the acceptance of ISO9001:2000 international quality system in 2003, causing the modernized management of the enterprise stepping on a new stage.

This Co.has set up more than 50 branches and perfect post-sale service networks in the provinces and cities nationwide to provide the users with excellent special services and reliable technical supports and leaves various products and accessories in Shenyang, Beijing, Shijiazhuang, Jinan, Hangzhou, Lanzhou etc. places to meet with the need of the clients at any time.

Tianquan stepping into the new century will keep the enterprise ideas of "taking people as the base, devoting to the society", rely on the scientific advance and continue improvement to make a new brilliance in the water field.

No best, only better, this is what the Tianquan product is pursuing. "Water of the silver river comes from Tian Spring", Tianquan is the mode ideal for your choice. We sincerely welcome every circle of the society to coming visit and to mutually make a nice future!

### 产品概述

SOW系列泵为单级双吸中开蜗壳式离心泵。主要适用于自来水厂、空调循环用水、建筑供水、灌溉、排水泵站、电站、工业供水系统、消防系统、船舶工业等输送液体的场合。

### OUTLINE OF PRODUCT

Model SOW pumps are single-stage double-suction split volute casing centrifugal pumps and used or liquid transportation for water works, air-conditioning circulation, building, irrigation, drainage pump station, electric power station, industrial water supply system, fire-fighting system, shipbuilding and so on.

### 泵的运行数据

泵出口直径	DN	80~800mm
流量	Q	≤11600m <sup>3</sup> /h
扬程	H	≤200m
工作温度	T	< 105°C
固体颗粒		≤80mg/L
工作许用压力		≤25 bar
许用试验压力		≤37.5 bar

### DATA OF RUNNING

Outlet diameter of pump	DN	80~800mm
Capacity	Q	≤11600m <sup>3</sup> /h
Head	H	≤200m
Working temperature	T	< 105°C
Solid grains		≤80mg/L
Permitted working pressure		≤25 bar
Permitted testing pressure		≤37.5 bar

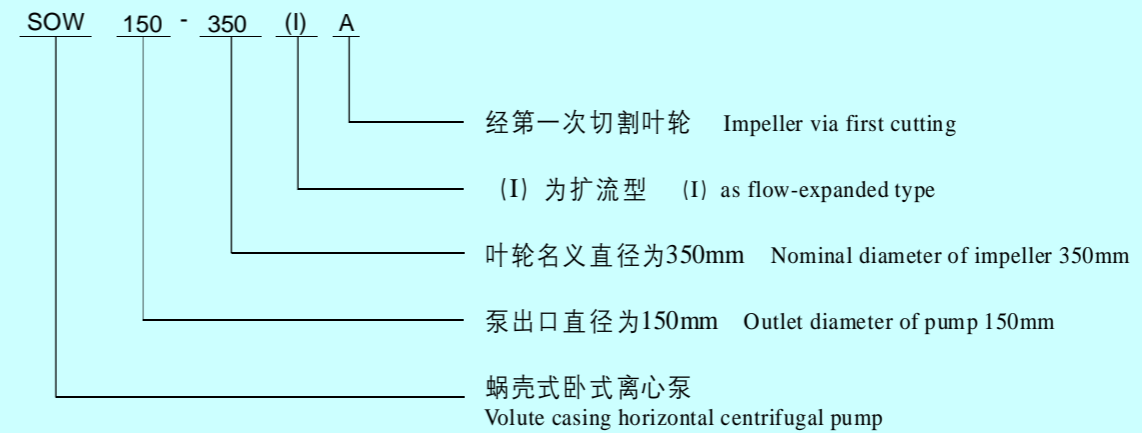
### 结构特点

- 1、结构紧凑 外形美观，稳定性好，便于安装。
- 2、运行平稳 优化设计的双吸叶轮使轴向力减小到最低限度，且有优异水力性能的叶型，并经精密铸造，泵壳内表面及叶轮表面极其光滑具有显著的抗气蚀性能和高效率。
- 3、泵壳体为双蜗壳结构，大大降低径向力，减轻轴承受力，延长轴承使用寿命。
- 4、轴承 选用SKF及NSK轴承保证运行平稳，噪音低，使用寿命长。
- 5、轴封 选用BURGMANN机械密封或填料密封。能保证8000小时运行无泄漏。

### CHARACTERISTIC OF STRUCTURE

- 1.Compact structure nice appearance, good stability and easy installation.
- 2.Stable running the optimally designed double-suction impeller makes the axial force reduced to the minimum and has a blade-style of very excellent hydraulic performance, both internal surface of the pump casing and the impeller's surface, being precisely cast, are extremely smooth and have a notable performance vapour-corrosion resisting and a high efficiency.
- 3.The pump case is double volute structured, which greatly reduces radial force, lightens bearing's load and prolongs bearing's service life.
- 4.Bearing use SKF and NSK bearings to guarantee a stable running, low noise and long duration.
- 5.Shaft seal use BURGMANN mechanical or stuffing seal to ensure a 8000h non-leak running.

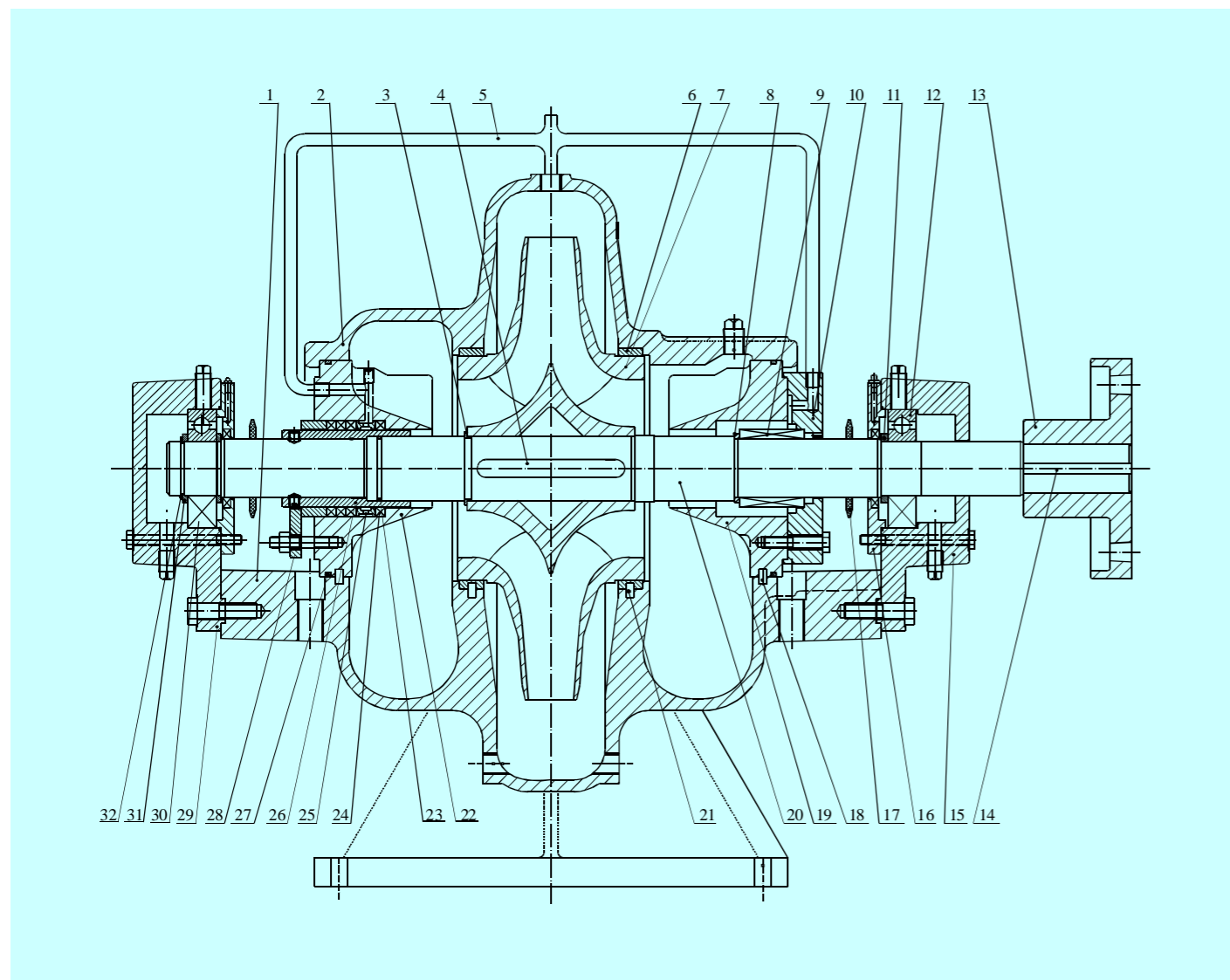
### 型号意义 MODEL MEANING



### 主要零件材料表 LIST OF MAIN PARTS' MATERIALS

零件名称 Part	材料名称 Material	GB
泵壳 Pump casing	灰铸铁 Casting pig 球墨铸铁 Ductalloy 铸钢 Cast steel 不锈钢 Stainless steel	HT250 QT400-18 ZG230-450 根据合同确定 According to confirmation of contract
叶轮 Impeller	青铜 Bronze 灰铸铁 Casting pig 硅黄铜 Silicon brass 不锈钢 Stainless steel	ZCuSn10Pb1 HT250 ZCuZn16Si4 根据合同确定 According to confirmation of contract
轴 Shaft	不锈钢 Stainless steel 碳钢 Carbon steel	2Cr13 40Cr
泵体密封环 Seal-ring on pump casing	青铜 Bronze 灰铸铁 Casting pig 硅黄铜 Silicon brass 不锈钢 Stainless steel	ZCuSn10Pb1 HT250 ZCuZn16Si4 根据合同确定 According to confirmation of contract

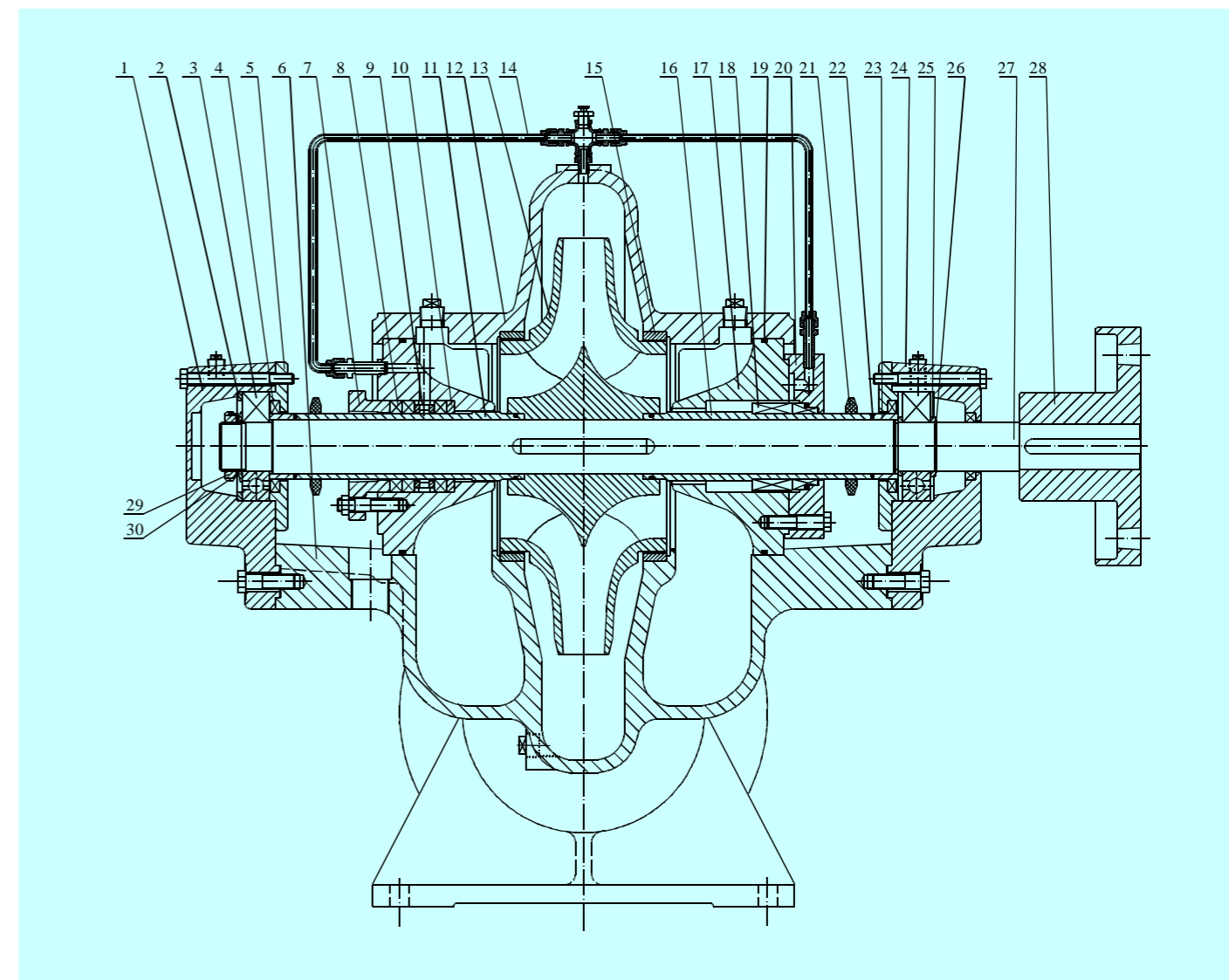
SOW型卧式泵结构图 STRUCTURAL DRAWING OF MODEL SOW HORIZONTAL PUMP



结构图1 Structural drawing 1

1	泵体 pump casing	8	机械密封 seal ring	15	轴承体甲 bearing body A	22	密封体(填料密封用) Seal body(for stuffing seal)	29	轴承体乙 bearing body B
2	泵盖 pump cover	9	机械密封 mechanical seal	16	轴承压盖 seal gland	23	O型密封圈 O-seal ring	30	轴承 bearing
3	轴用弹性挡圈 use elastic baffle	10	机械密封压盖 mechanical seal gland	17	挡水圈 water baffle	24	填料 stuffing	31	轴承挡圈 bearing baffle
4	键 key	11	轴用弹性挡圈 use elastic baffle	18	圆柱销 column pin	25	填料环 stuffing ring	32	轴用弹性挡圈 use elastic baffle
5	水冲洗管部件 water-rinsing pipe part	12	轴承 bearing	19	密封体(机械密封用) Seal body(Mechanical seal)	26	填料轴套 stuff muff		
6	密封环 seal-ring	13	泵联 pump linkage	20	轴 shaft	27	O型密封圈 O-seal ring		
7	叶轮 impeller	14	键 key	21	圆柱销 column pin	28	填料压盖部件 packing gland part		

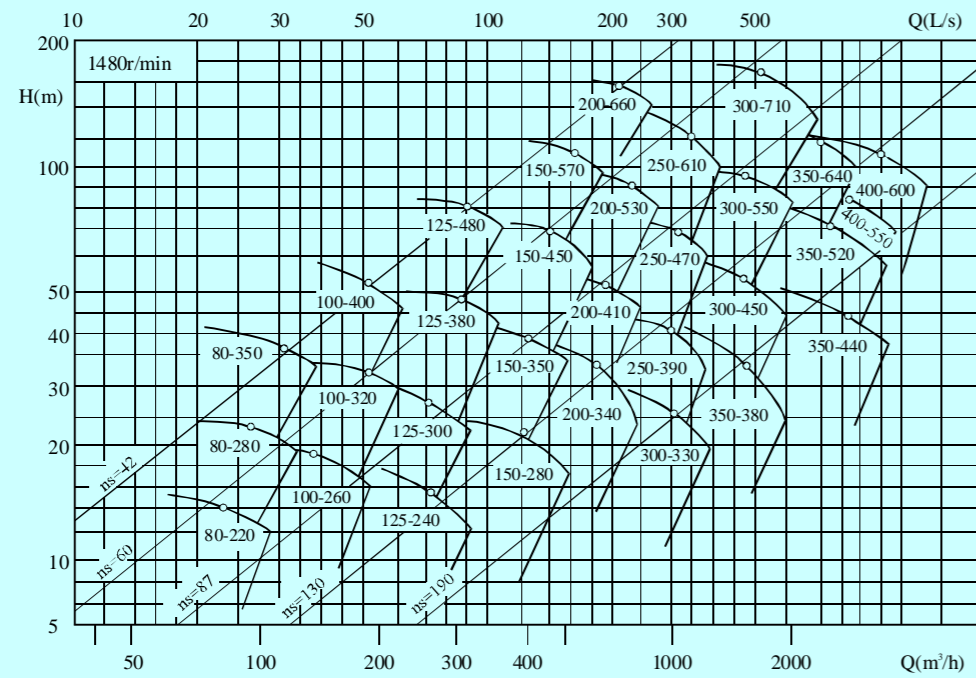
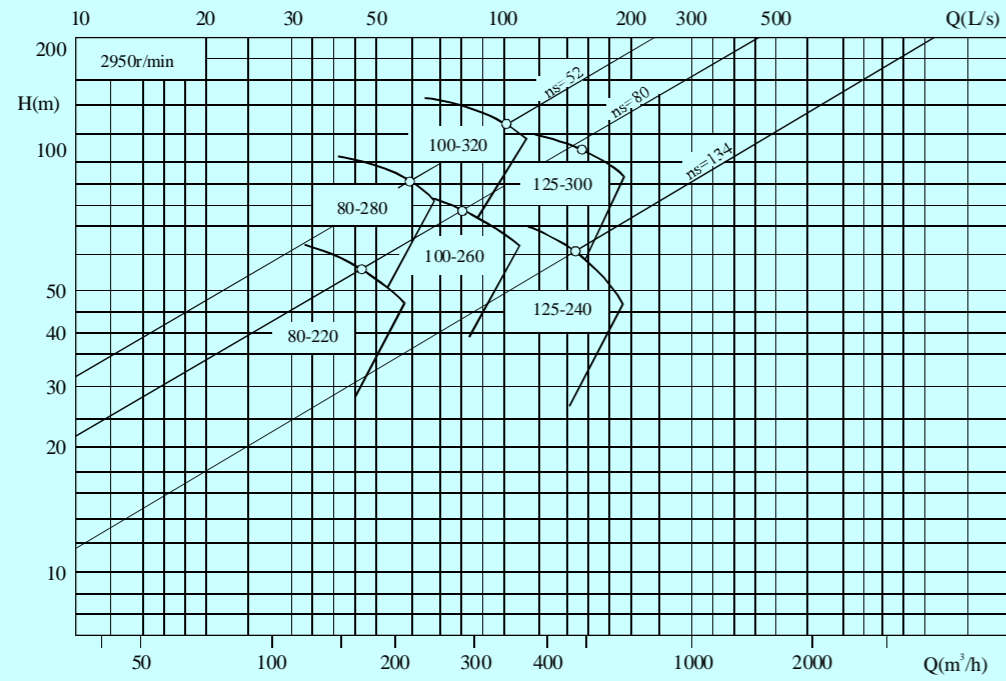
SOW型卧式泵结构图 STRUCTURAL DRAWING OF MODEL SOW HORIZONTAL PUMP



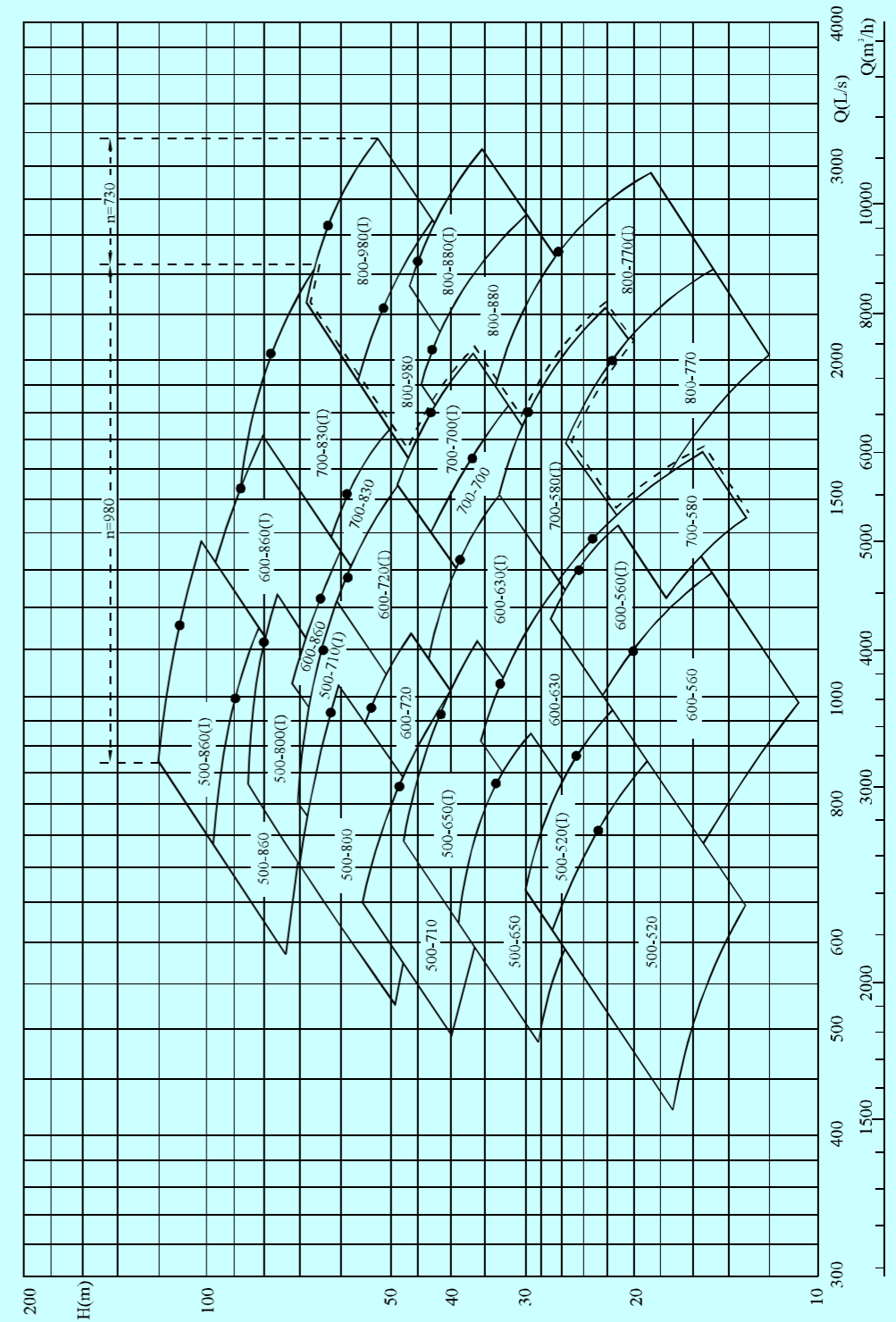
结构图2 Structural drawing 2

1	轴承体乙 bearing body B	7	填料压盖 stuffing gland	13	叶轮 Impeller	19	O形圈 O-ring	25	轴承挡圈 bearing baffle
2	轴承垫圈 bearing washer	8	填料 stuffing	14	水冲洗管部件 water-rinsing pipe part	20	密封压盖 seal gland	26	弹性挡圈 elastic baffle
3	轴承 bearing	9	填料环 stuffing ring	15	密封环 seal-ring	21	挡水圈 water baffle	27	轴 shaft
4	骨架油封 oil-seal o rame	10	填料挡套 stuffing baffle	16	机械密封轴套 mechanical seal muff	22	O形圈 O-ring	28	泵联轴器 pump bearing gland
5	轴承压盖 bearing gland	11	填料轴套 stuff muff	17	密封体 seal-body	23	轴套 muff	29	圆螺母 round nut
6	泵体 pump casing	12	泵盖 pump cover	18	机械密封 mechanical seal	24	轴承体甲 bearing body A	30	止退垫圈 washer

SOW型泵型谱图 SOW TYPE PUMP ATLAS OF STYLE



SOW型泵型谱图 SOW TYPE PUMP ATLAS OF STYLE



SOW型泵性能参数 SOW TYPE PUMP PERFORMANCE

序号 No	泵型号 Pump type	流量 Capacity		扬程 Head (m)	转速 Speed (r/min)	电机功率 Motor power (kw)	效率 Eff. (%)	必需汽蚀余量 (NPSH)r (m)	泵净重 Weight (kg)
		(m³/h)	(L/s)						
1	80-220(I)	A	22.0	6.1	1480	5.5	82	1.6	181
2			83.5	23.2					
3			121.0	33.6					
4		20.0	5.6	4		81			
5		77.2	21.4						
6		108.0	30.0						
7		17.5	4.86	3		80.5			
8		70.4	19.6						
9	96.0	26.6							
10	16.0	4.4	3	78					
11	64.4	17.9							
12	83.0	23.0							
13	60.0	16.7	2950	37	82	4.5	181		
14	164.5	45.7							
15	240.0	66.7							
16	59.0	16.3						30	81
17	152.9	42.5							
18	219.0	60.8							
19	55.0	15.3						30	80.5
20	138.5	38.5							
21	199.0	55.3							
22	52.0	14.4	22	77.8					
23	128.4	35.7							
24	170.0	47.0							
25	80-220	A	17.0	4.7	1480	4	81	1.7	181
26			66.5	18.5					
27			108.0	30.0					
28		16.0	4.4	3		80			
29		71.0	17.0						
30		98.0	27.2						
31		15.0	4.2	3		78			
32		55.8	15.5						
33	85.0	23.6							
34	14.5	4.0	2.2	74					
35	57.0	14.3							
36	72.0	20.0							
37	60.0	16.6	2950	30	81	3.5	181		
38	134.5	37.4							
39	218.0	60.6							
40	58.0	16.1						30	80
41	124.2	34.5							
42	197.0	54.7							
43	57.0	15.8						22	78.2
44	113	31.4							
45	170.0	47.2							
46	55.0	15.2	18.5	74					
47	105	29.2							
48	142.0	39.4							
49	26.0	7.2	1480	11	78.5	2.3	194		
50	104.5	29.0							
51	138.0	38.3							
52	25.0	6.9						11	78
53	96	26.7							
54	129.0	35.8							
55	22.0	6.1						7.5	76
56	88.1	24.5							
57	116.0	32.2							
58	21.0	5.8	5.5	75					
59	79.4	22.0							
60	105.0	29.0							
61	80.0	22.0	2950	75	78.5	6.3	194		
62	208.0	57.8							
63	280.0	77.8							
64	78.0	21.7						75	77.5
65	192.4	53.4							
66	235.0	65.3							
67	75.0	20.8						55	76
68	174.7	48.5							
69	220.0	61.1							
70	74.0	20.5	37	75					
71	155.0	43.0							
72	200.0	55.6							
73	22.0	6.1	1480	7.5	77	1.9	194		
74	86.0	23.9							
75	112.0	31.1							
76	21.0	5.8						7.5	76
77	80.4	22.3							
78	102.0	28.3							

SOW型泵性能参数 SOW TYPE PUMP PERFORMANCE

序号 No	泵型号 Pump type	流量 Capacity		扬程 Head (m)	转速 Speed (r/min)	电机功率 Motor power (kw)	效率 Eff. (%)	必需汽蚀余量 (NPSH)r (m)	泵净重 Weight (kg)		
		(m³/h)	(L/s)								
27	80-280	B	19.5	5.4	1480	5.5	75	1.9	194		
28			73.2	20.3							
29			92.0	25.5							
30		18.0	5.0	4		74					
31		66.8	18.6								
32		82.0	22.8								
33		60.0	16.7	2950		75	77			6.8	194
34		172.0	47.8								
35	220.5	61.2									
36	58.0	16.1	55		76.2						
37	160.0	44.4									
38	203.0	56.3									
39	57.0	15.8	45		75.2						
40	146.7	40.8									
41	188.5	52.3									
42	56.0	15.5	30	74.4							
43	132.6	36.8									
44	170.0	47.2									
45	29.0	8.1	1480	22	71.5	2.3	204				
46	114.4	31.8									
47	150.0	41.7									
48	26.0	7.2						15	70.5		
49	105.5	29.3									
50	133.0	36.9									
51	22.0	6.1						15	70		
52	96.3	26.8									
53	117.0	32.5									
54	20.0	5.6	11	67.5							
55	87.1	24.2									
56	102.0	28.3									
57	26.0	7.2	1480	15	73	2.5	204				
58	100.0	27.8									
59	132.0	36.7									
60	22.0	6.1						15	70		
61	93.1	25.9									
62	120.0	33.3									
63	20.0	5.6						11	66		
64	82.8	23.0									
65	98.0	27.2									
66	18.0	5.0	7.5	64							
67	70.0	19.4									
68	71.0	19.7									
69	38.0	10.6	1480	11	82.5	2.4	207				
70	145.0	40.3									
71	212.0	58.9									
72	37.0	10.3						11	81		
73	132.9	36.9									
74	192.0	53.0									
75	36.0	10.0						7.5	79		
76	122.9	34.1									
77	173.0	48.1									
78	34.0	9.4	5.5	77.5							
79	115.9	32.2									
80	154.0	42.8									
81	148.5	41.3	2950	90	82.5	7.1	207				
82	289.0	80.3									
83	375.0	104.2									
84	120.8	33.6						75	80.5		
85	264.9	73.6									
86	340.0	94.0									
87	70.0	19.4						55	79		
88	240.6	66.8									
89	325.0	90.3									
90	60.0	16.7	45	78							
91	223.4	62.0									
92	295.0	81.9									
93	30.0	8.3	1480	11	81.5	1.9	207				
94	123.5	34.3									
95	170.0	47.2									
96	28.0	7.8						7.5	79.5		
97	114.0	31.7									
98	154.0	42.8									
99	26.0	7.2						7.5	78		
100	105.9	29.4									
101	143.0	39.7									
102	25.0	6.9	5.5	76							
103	99.3	27.6									
104	131.0	36.4									

SOW型泵性能参数 SOW TYPE PUMP PERFORMANCE

序号 No	泵型号 Pump type	流量 Capacity		扬程 Head (m)	转速 Speed (r/min)	电机功率 Motor power (kw)	效率 Eff. (%)	必需汽蚀余量 (NPSH)r (m)	泵净重 Weight (kg)
		(m³/h)	(L/s)						
53	100-260		52.0 245.5 340.0	14.4 68.2 94.4	2950	75	81.5	7.4	207
54		A	51.5 227.7 310.0	14.3 63.3 86.1					
55		B	50.5 212.6 280.0	14.0 59.0 77.8					
56		C	49.0 195.2 260.0	13.6 54.2 72.2					
57			47.0 185.5 225.0	13.1 51.5 62.5					
58	100-320(I)	A	42.0 172.6 204.0	11.7 47.9 56.7	1480	18.5	79.6	2.6	223
59		B	38.0 157.5 184.0	10.6 43.8 51.1					
60		C	37.0 142.8 165.0	10.3 39.7 45.8					
61	100-320(II)		185.0 368.0 450.0	51.4 102.2 125.0	2950	200	80	11	223
62		A	140.0 341.6 410.0	38.9 94.9 113.9					
63		B	100.0 314.8 370.0	27.7 87.4 102.8					
64		C	119.0 245.4 325.0	33.1 68.2 90.3					
65	100-320		50.0 141.5 174.0	13.9 39.3 48.3	1480	18.5	78	2.2	223
66		A	48.0 131.6 164.0	13.3 36.6 45.6					
67		B	47.0 120.0 152.0	13.1 33.3 42.2					
68	100-320	C	44.0 112.4 143.0	12.2 31.2 39.7	2950	132	77	9.5	223
69			70.0 283.0 350.0	19.4 78.6 97.2					
70		A	65.0 263.3 330.0	18.1 73.1 100.0					
71		B	61.3 237.8 310.0	17.0 66.0 86.1					
72	C	60.9 215.5 287.0	16.9 60.0 79.7		75	77			
73	100-400(I)		70.0 185.5 241.5	19.4 51.5 67.0	1480	45	73	2.5	241
74		A	65.0 170.6 213.0	18.1 47.4 59.2					
75		B	62.0 158.6 190.0	17.2 44.0 52.8					
76	C	58.0 141.6 178.0	16.1 39.3 49.4		18.5	69			
77	100-400		60.0 163.0 217.0	16.7 45.3 60.3	1480	37	72	3.1	241
78		A	58.0 149.9 188.0	16.1 41.6 52.2					

SOW型泵性能参数 SOW TYPE PUMP PERFORMANCE

序号 No	泵型号 Pump type	流量 Capacity		扬程 Head (m)	转速 Speed (r/min)	电机功率 Motor power (kw)	效率 Eff. (%)	必需汽蚀余量 (NPSH)r (m)	泵净重 Weight (kg)
		(m³/h)	(L/s)						
79	100-400	B	54.0 138.4 168.0	15.0 38.5 46.7	1480	22	66.5	3.1	241
80		C	51.0 121.1 135.0	14.2 33.6 37.5					
81	125-240(I)		100.0 274.6 370.0	27.8 76.3 102.8	1480	18.5	85.5	2.2	310
82		A	92.0 259.3 332.0	25.6 72.0 92.2					
83		B	82.0 232.4 285.0	22.8 64.5 79.2					
84		C	78.0 210.5 240.0	21.7 58.5 66.7					
85	125-240(II)		139.5 533.5 715.0	38.7 148.2 198.6	2950	132	85.5	8	310
86		A	124.0 496.7 650.0	34.4 138.0 180.6					
87		B	119.0 454.3 550.0	33.1 126.2 152.8					
88		C	103.0 411.6 460.0	28.6 114.3 127.8					
89	125-240		100.0 256.5 320.1	27.8 71.2 88.9	1480	15	84.5	2.2	310
90		A	94.0 242.5 300.4	26.1 67.4 83.4					
91		B	90.0 223.8 265.0	25.0 62.2 73.6					
92	C	82.0 199.1 220.0	22.8 55.3 61.1		7.5	78			
93	125-240		111.0 472.5 662.0	30.8 131.2 183.9	2950	110	84.5	8.7	310
94		A	106.0 442.2 592.0	29.4 122.8 141.7					
95		B	102.0 393.7 510.0	28.3 109.4 141.0					
96		C	90.0 369.5 415.0	25.0 102.6 115.0					
97	125-300(I)		100.0 270.0 375.0	27.8 75.0 104.2	1480	30	84	1.9	350
98		A	80.3 243.7 348.0	22.3 67.7 96.7					
99		B	75.0 220.5 310.0	20.8 61.2 86.1					
100	C	60.5 195.8 270.0	16.8 54.4 75.0		15	78			
101	125-300(II)		380.0 535.5 640.0	105.6 148.8 177.8	2950	200	84	7.6	350
102		A	285.0 483.4 630.0	79.2 134.3 175.0					
103		B	190.0 437.2 600.0	52.8 121.5 166.7					
104		C	90.2 389.0 500.0	25.1 108.1 138.9					

SOW型泵性能参数 SOW TYPE PUMP PERFORMANCE

序号 No	泵型号 Pump type	流量 Capacity		扬程 Head (m)	转速 Speed (r/min)	电机功率 Motor power (kw)	效率 Eff. (%)	必需汽蚀余量 (NPSH)r (m)	泵净重 Weight (kg)			
		(m³/h)	(L/s)									
105	125-300	A	100.0	27.8	1480	30	83	1.9	350			
106			242.5	67.4								
107			370.0	102.8								
108		B	90.3	25.1		15	79					
109			222.3	61.8								
110			290.0	80.6								
111		C	80.0	22.2		11	76					
112			202.9	56.4								
113			250.0	69.4								
114		125-380(I)	A	70.1		19.5	2950			200	7.9	350
115				179.5		49.9						
116				210.0		58.3						
117	230.0		63.9	160								
118	479.0		133.1									
119	580.0		161.1									
120	B	182.0	50.5	110	79							
121		437.7	121.6									
122		540.0	150.0									
123	C	128.0	35.6	90	76							
124		400.8	111.3									
125		510.0	141.7									
126	125-380(II)	A	85.0	23.6	1480	75	2.1	370				
127			355.2	98.7								
128			428.0	118.9								
129		125.0	34.7	45		79						
130		310.5	86.3									
131		435.0	120.8									
132	B	104.0	28.9	37	78							
133		282.8	78.6									
134		395.0	109.7									
135	C	93.0	25.8	30	76							
136		254.2	70.6									
137		350.0	97.2									
138	125-380	A	85.5	23.7	1480	55	2.4	370				
139			221.9	61.6								
140			295.2	109.8								
141		100.2	27.8	45		78						
142		278.0	77.2									
143		396.5	110.0									
144	B	92.1	25.8	22	76							
145		257.9	71.6									
146		349.6	97.1									
147	C	84.0	23.3	110	80							
148		234.1	65.0									
149		300.0	83.3									
150	125-480(1)	A	79.1	22.0	1480	90	2.3	500				
151			209.8	58.3								
152			250.5	69.6								
153		109.2	30.3	75		77						
154		328.5	91.3									
155		380.4	105.7									
156	B	100.0	27.8	45	76							
157		307.3	85.4									
158		350.9	97.4									
159	C	80.4	22.3	30	76							
160		282.0	78.3									
161		300.4	83.4									
162	125-480	A	60.0	16.6	1480	90	2.7	500				
163			250.4	69.6								
164			270.4	75.1								
165		100.0	27.8	75		78						
166		294.5	81.8									
167		370.0	102.8									
168	B	90.1	25.0	55	77							
169		274.8	76.3									
170		320.2	88.9									
171	C	85.3	23.7	37	76							
172		257.2	71.4									
173		284.5	79.0									
174	150-280(1)	A	78.5	21.8	1480	37	2.4	347				
175			230.0	63.9								
176			238.8	66.3								
177		160.0	44.4	30		86						
178		443.5	123.2									
179		609.0	169.2									
180	B	150.5	41.8	15	79							
181		410.6	114.0									
182		550.0	152.8									

SOW型泵性能参数 SOW TYPE PUMP PERFORMANCE

序号 No	泵型号 Pump type	流量 Capacity		扬程 Head (m)	转速 Speed (r/min)	电机功率 Motor power (kw)	效率 Eff. (%)	必需汽蚀余量 (NPSH)r (m)	泵净重 Weight (kg)
		(m³/h)	(L/s)						
131	150-280(1)	B	130.0	36.1	1480	22	84	2.4	347
132			367.0	101.9					
133	150-280	C	480.0	133.3	1480	18.5	77	2.5	347
134			123.0	34.1					
135			338.2	93.9					
136		395.0	109.7						
137		140.0	38.9	30		86			
138		397.0	110.3						
139	525.0	145.8							
140	A	135.0	37.5	22	84				
141		362.4	100.7						
142		496.0	137.8						
143	B	128.0	35.6	18.5	80				
144		340.7	94.6						
145		446.0	123.9						
146	150-350(1)	C	120.0	33.3	1480	75	85	2.5	410
147			318.1	88.4					
148			380.0	105.6					
149		180.0	50.0	55		83			
150		447.5	124.3						
151		592.0	164.4						
152	A	175.0	48.6	37	81				
153		404.2	112.3						
154		580.0	161.1						
155	B	162.0	45.0	30	78				
156		363.0	100.8						
157		495.0	137.5						
158	C	150.0	41.7	55	84				
159		324.7	90.2						
160		421.0	116.9						
161	150-350	A	150.0	41.7	1480	45	82	2.5	410
162			407.5	113.2					
163			550.0	152.8					
164		140.0	38.9	37		80			
165		374.1	103.9						
166		471.0	130.8						
167	B	130.0	36.1	30	78				
168		344.4	95.7						
169		460.0	127.8						
170	C	125.0	34.7	55	84				
171		311.9	86.6						
172		390.0	108.3						
173	150-450(I)	A	200.0	55.6	1480	132	82	3.0	520
174			515.5	143.2					
175			640.0	177.8					
176		190.0	52.8	110		81			
177		468.4	130.1						
178		600.0	166.7						
179	B	180.0	50.0	75	80				
180		418.5	116.3						
181		540.0	150.0						
182	C	175.0	48.6	55	78.5				
183		375.4	104.3						
184		468.0	130.0						
185	150-450	A	150.0	41.7	1480	110	81	3.4	520
186			440.0	122.2					
187			582.0	161.7					
188		140.0	38.9	90		80.5			
189		401.7	111.6						
190		550.0	152.8						
191	B	129.0	35.8	75	80				
192		359.3	99.8						
193		490.0	136.1						
194	C	115.0	31.9	45	78				
195		326.3	90.6						
196		430.0	119.4						
197	150-570(I)	A	200.0	55.6	1480	250	80	3.7	740
198			584.0	162.2					
199			730.0	202.8					
200		180.0	50.0	200		79			
201		536.2	148.9						
202		660.0	183.3						
203	B	169.0	46.9	160	78				
204		493.6	137.1						
205		620.0	172.2						
206	C	150.0	41.7	132	77				
207		450.0	125.0						
208		530.0	147.2						



SOW型泵性能参数 SOW TYPE PUMP PERFORMANCE

序号 No	泵型号 Pump type	流量 Capacity		扬程 Head (m)	转速 Speed (r/min)	电机功率 Motor power (kw)	效率 Eff. (%)	必需汽蚀余量 (NPSH)r (m)	泵净重 Weight (kg)
		(m³/h)	(L/s)						
157	150-570	A	200.0	55.6	1480	200	79	4.2	740
158			537.0	149.2					
159			620.0	172.2					
160		C	96.3	26.7		96.0			
161			499.9	138.9		78.0			
162			580.0	161.1		70.0			
163	B	82.8	23.0	83.0					
164		468.5	130.1	68.5					
165		540.0	150.0	61.0					
166	A	70.0	19.4	70.0					
167		419.2	116.4	57.5					
168		500.0	138.9	50.0					
169	200-340(I)	A	250.0	69.4	1480	75	87.5	3.3	590
170			695.5	193.2					
171			940.0	261.1					
172	B	240.0	66.7	35.0					
173		641.2	178.1	25.5					
174		845.0	234.7	17.5					
175	C	230.0	63.9	30.8					
176		586.0	162.8	21.3					
177		750.0	208.3	16.0					
178	200-340	A	220.0	61.1	1480	37	79	2.5	590
179			530.0	147.2					
180			610.0	169.4					
181	B	250.0	69.4	37.5					
182		638.0	177.2	28.0					
183		870.0	241.7	18.5					
184	C	240.0	66.7	33.0					
185		596.8	165.8	24.5					
186		795.0	220.8	16.8					
187	200-410(I)	A	235.0	65.2	1480	45	84	2.5	590
188			552.5	153.5					
189			705.0	195.8					
190	B	225.0	62.5	23.1					
191		497.1	138.1	17.0					
192		600.0	166.7	14.0					
193	C	265.0	73.6	62.8					
194		710.0	197.2	52.0					
195		990.0	275.0	40.0					
196	200-410	A	249.0	69.1	1480	110	84.5	4.2	620
197			641.9	178.3					
198			895.0	248.6					
199	B	238.0	66.1	46.0					
200		586.6	163.0	35.5					
201		780.0	216.7	25.0					
202	C	220.0	61.1	38.5					
203		525.6	146.0	28.5					
204		660.0	166.7	21.0					
205	200-410	A	250.0	69.4	1480	110	85.5	3.0	620
206			649.0	180.3					
207			865.0	240.2					
208	B	236.0	65.6	52.2					
209		596.1	165.6	40.5					
210		750.0	208.3	32.5					
211	C	215.0	59.7	44.2					
212		550.2	152.8	34.5					
213		720.0	200.0	25.0					
214	200-530(I)	A	209.0	58.1	1480	55	78	3.0	620
215			495.7	137.7					
216			590.0	163.9					
217	B	475.0	131.9	102.0					
218		818.0	227.2	91.0					
219		1080.0	300.0	77.5					
220	C	460.0	127.8	86.0					
221		750.0	208.3	76.5					
222		965.0	268.1	66.2					
223	200-530	A	440.0	122.2	1480	200	80	3.5	840
224			687.9	191.1					
225			905.0	251.4					
226	B	420.0	116.7	55.0					
227		630.0	175.0	47.5					
228		795.0	220.8	41.8					
229	C	260.0	72.2	98.0					
230		735.0	204.2	81.7					
231		955.0	265.3	66.9					
232	200-530	A	250.0	69.4	1480	200	81	3.0	840
233			670.5	186.3					
234			880.0	244.4					

SOW型泵性能参数 SOW TYPE PUMP PERFORMANCE

序号 No	泵型号 Pump type	流量 Capacity		扬程 Head (m)	转速 Speed (r/min)	电机功率 Motor power (kw)	效率 Eff. (%)	必需汽蚀余量 (NPSH)r (m)	泵净重 Weight (kg)
		(m³/h)	(L/s)						
183	200-530	B	240.0	66.7	1480	160	80	3.0	840
184			633.0	175.8					
185	C	820.0	227.8	46.1					
186		230.0	63.9	54.8					
187	200-660(I)	A	576.3	160.1	1480	110	78	3.1	1000
188			720.0	200.0					
189	B	280.0	77.8	167.0					
190		793.0	220.3	150.0					
191	C	935.0	259.7	140.0					
192		270.0	75.0	144.0					
193	200-660	A	729.7	202.7	1480	400	78.5	3.1	1000
194			900.0	250.0					
195	B	260.0	72.2	124.0					
196		669.8	186.0	107.0					
197	C	864.0	240.0	93.0					
198		250.0	69.4	105					
199	200-660	A	637.4	177.0	1480	315	77	2.9	1000
200			770.0	213.9					
201	B	250.0	69.4	156.0					
202		721.0	200.2	132.5					
203	C	860.0	238.9	120.0					
204		240.0	66.7	132.0					
205	200-740	A	670.2	186.2	1480	315	78.5	2.9	1000
206			790.0	219.4					
207	B	230.0	63.9	114.0					
208		621.6	172.7	98.5					
209	C	720.0	200.0	90.0					
210		215.0	59.7	98.0					
211	200-740	A	570.6	158.5	1480	200	77	3.8	2500
212			690.0	191.7					
213	B	550	153	205					
214		700	194	200					
215	C	850	236	192					
216		520	144	187					
217	200-850	A	685	190	1480	800	60	3	1400
218			820	228					
219	B	500	139	170					
220		665	185	163					
221	C	800	222	155					
222		480	133	150					
223	200-850	A	650	181	1480	800	70	3	1400
224			780	217					
225	B	470	131	227					
226		790	219	222					
227	C	900	250	218					
228		460	128	207					
229	200-850	A	760	211	1480	710	69.5	3	1400
230			880	244					
231	B	440	122	188					
232		740	206	182					
233	C	840	233	176					
234		420	117	167					
235	200-850	A	700	194	1480	800	70	3	1400
236			810	225					
237	B	400.0	111.1	50.0					
238		1052.0	292.2	39.0					
239	C	1450.0	402.8	28.0					
240		380.0	105.6	44.9					
241	250-390(I)	A	967.7	268.8	1480	132	86	4.2	810
242			1310.0	363.9					
243	B	379.0	105.3	38.0					
244		915.3	254.3	27.0					
245	C	1160.0	322.2	20.2					
246		350.0	97.2	31.8					
247	250-390	A	843.3	234.3	1480	110	83	4.0	810
248			990.0	275.0					
249	B	400.0	111.1	50.0					
250		1030.5	286.3	37.0					
251	C	1400.0	388.9	25.6					
252		390.0	108.3	44.0					
253	250-390	A	958.3	266.2	1480	110	86	4.0	810
254			1290.0	358.3					
255	B	375.0	104.2	38.0					
256		880.3	244.5	27.0					
257	C	1170.0	325.0	21.8					
258		350.0	97.2	32.0					
259	250-390	A	819.6	227.7	1480	75	82	4.0	810
260			1030.0	286.1					

SOW型泵性能参数 SOW TYPE PUMP PERFORMANCE

序号 No	泵型号 Pump type	流量 Capacity		扬程 Head (m)	转速 Speed (r/min)	电机功率 Motor power (kw)	效率 Eff. (%)	必需汽蚀余量 (NPSH)r (m)	泵净重 Weight (kg)		
		(m³/h)	(L/s)								
209	250-470(I)		420.0 1174.5 1608.0	116.7 326.3 447	1480	280	87	3.3	930		
210		A	400.0 1072.2 1450.0	111.1 297.8 402.8						220	85
211		B	370.0 975.2 1250.0	102.8 270.9 347.2							
212		C	330.0 903.3 1090.0	91.7 250.9 302.8		160	80				
213		250-470		400.0 1081.0 1450.0						111.1 300.3 402.8	1480
214	A		370.0 1003.9 1300.0	102.8 278.9 361.1	185	82.5					
215	B		350.0 911.0 1170.0	97.2 253.0 325.0			160	80.5			
216	C		340.0 830.0 1020.0	94.4 230.6 283.3	110	78.5					
217	250-550			900 1150 1350			250 319 375	1480	400	85	
218		A	850 1100 1300	236 306 361	355	83					
219		B	800 1050 1250	222 292 347			315				81
220		C	750 1000 1200	208 278 333	280	79					
221		250-610(I)		800.0 1243.0 1640.0			222.2 345.3 455.6		1480	560	84
222	A		750.0 1154.1 1600.0	208.3 320.6 444.4	450	83.5					
223	B		700.0 1051.4 1480.0	194.4 292.0 411.1			355	83			
224	C		650.0 970.0 1360.0	180.6 269.4 377.8	250	82.5					
225	250-610			400.0 1045.0 1415.0			111.1 290.3 393.1	1480		400	83
226		A	390.0 972.1 1360.0	108.3 270.0 377.8	315	82.5					
227		B	380.0 884.5 1240.0	105.6 245.7 344.4			250		81.5		
228		C	335.0 806.9 1120.0	101.4 224.1 311.1	200	80.5					
229		300-330(I)		500.0 1099.0 1475.0			138.9 305.3 409.7		1480	110	86
230	A		480.0 1020.0 1425.0	133.3 283.3 395.8	90	84.5					
231	B		460.0 970.0 1290.0	127.8 269.4 358.3			75	82			
232	C		440.0 920.0 1170.0	122.2 255.6 325.0	45	80					
233	300-330			400.0 940.0 1260.0			111.1 261.1 350.0	1480		90	85
234		A	390.0 876.6 1200.0	108.3 243.5 333.3	75	84					

SOW型泵性能参数 SOW TYPE PUMP PERFORMANCE

序号 No	泵型号 Pump type	流量 Capacity		扬程 Head (m)	转速 Speed (r/min)	电机功率 Motor power (kw)	效率 Eff. (%)	必需汽蚀余量 (NPSH)r (m)	泵净重 Weight (kg)		
		(m³/h)	(L/s)								
235	300-330	B	370.0 801.0 1080.0	102.8 222.5 300.0	1480	55	81	3.6	900		
236		C	350.0 705.0 950.0	97.2 195.8 263.9						20.5 13.7 9.0	
237	300-450(I)		700.0 1678.5 2380.0	194.4 466.3 661.1	1480	315	88	5.2	1400		
238		A	660.0 1576.8 2100.0	183.3 438.0 583.3						280	86.5
239		B	620.0 1476.0 1800.0	172.2 410.0 500.0							
240		C	600.0 1360.8 1450.0	166.7 378.0 402.8		160	79				
241		300-450		600.0 1620.0 2240.0						166.7 450.0 622.2	1480
242	A		580.0 1519.2 2040.0	161.1 422.0 566.7	250	86.5					
243	B		560.0 1422.0 1860.0	155.6 395.0 516.7			200	84			
244	C		540.0 1332.0 1620.0	150.0 370.0 450.0	160	81.5					
245	300-550(I)			700.0 1750.0 2350.0			194.4 486.1 652.8	1480	630	86	
246		A	680.0 1645.2 2170.0	188.9 457.0 602.8	450	85.5					
247		B	650.0 1573.2 2130.0	180.6 437.0 591.7			355				85
248		C	620.0 1515.6 1980.0	172.2 421.0 550.0	280	83.5					
249		300-550		600.0 1550.0 2130.0			166.7 430.5 591.7		1480	450	84.5
250	A		590.0 1447.2 1980.0	163.9 402.0 550.0	355	83.5					
251	B		580.0 1360.8 1820.0	161.1 378.0 505.6			280	83			
252	C		570.0 1281.6 1600.0	158.3 356.0 461.1	250	82					
253	300-710(I)			900.0 1836.0 2100.0			250.0 510.0 583.3	1480		1120	85
254		A	960.0 1735.2 2030.0	266.7 482.0 563.9	900	84.6					
255		B	800.0 1623.6 1880.0	222.2 451.0 522.2			630		84.3		
256		C	700.0 1537.2 1600.0	194.4 427.0 444.4	560	84					
257		300-710		600.0 1690.0 2160.0			166.7 469.4 600.0		1480	900	83.5
258	A		580.0 1573.2 2000.0	161.1 437.0 555.6	710	83					
259	B		540.0 1450.8 1820.0	150.0 403.0 505.6			560	82.5			
260	C		510.0 1342.8 1650.0	141.7 373.0 458.3	400	82					

SOW型泵性能参数 SOW TYPE PUMP PERFORMANCE

序号 No	泵型号 Pump type	流量 Capacity		扬程 Head (m)	转速 Speed (r/min)	电机功率 Motor power (kw)	效率 Eff. (%)	必需汽蚀余量 (NPSH)r (m)	泵净重 Weight (kg)
		(m³/h)	(L/s)						
261	350-380(I)		600.0 1733.0 2280.0	166.7 481.4 633.3	1480	200	86.5	6.2	1200
262		A	580.0 1692.0 2160.0	161.1 470.0 600.0					
263		B	560.0 1641.6 2080.0	155.5 456.0 577.8					
264		C	540.0 1602.0 1900.0	150.0 445.0 527.8					
265	350-380		500.0 1424.0 1940.0	138.9 395.6 538.9	1480	160	85.5	5	1200
266		A	460.0 1335.6 1800.0	127.8 371.0 500.0					
267		B	430.0 1270.8 1610.0	119.4 353.0 447.2					
268		C	410.0 1188.0 1400.0	113.9 330.0 388.9					
269	350-440(I)		1000.0 2745.0 3500.0	277.8 762.5 972.2	1480	450	87.5	8.5	1450
270		A	950.0 2635.2 3450.0	263.9 732.0 958.3					
271		B	900.0 2563.2 3250.0	250.0 712.0 902.8					
272		C	890.0 2484.0 3200.0	247.2 690.0 888.9					
273	350-440		750.0 2235.0 3000.0	208.3 620.8 833.3	1480	355	86.5	6.5	1450
274		A	700.0 2088.0 2750.0	194.4 580.0 763.9					
275		B	680.0 1987.2 2400.0	188.9 552.0 666.7					
276		C	650.0 1847.6 2010.0	180.6 516.0 558.3					
277	350-520(I)		1350.0 2610.0 3700.0	375.0 725.0 1027.8	1480	630	88.5	6.7	1800
278		A	1100.0 2430.0 3500.0	305.6 675.0 972.2					
279		B	750.0 2232.0 2850.0	208.3 620.0 791.7					
280		C	505 2070 2350	140.3 575 652.8					
281	350-520		850 2450 3350	236.1 680.6 930.6	1480	630	88	7	1800
282		A	800 2268 3200	222.2 630 888.9					
283		B	750 2088 2850	208.3 580 791.7					
284		C	700 1944 2500	194.4 540 694.4					
285	350-640		1470 2160 2800	408.3 600 777.8	1480	1000	85	6.9	2570

SOW型泵性能参数 SOW TYPE PUMP PERFORMANCE

序号 No	泵型号 Pump type	流量 Capacity		扬程 Head (m)	转速 Speed (r/min)	电机功率 Motor power (kw)	效率 Eff. (%)	必需汽蚀余量 (NPSH)r (m)	泵净重 Weight (kg)
		(m³/h)	(L/s)						
286	350-640	A	1290 2000 2600	358.3 556 722	1480	900	84	6.9	2570
287		B	1185 1920 2500	329.2 533.3 694.4					
288		C	1110 1830 2380	308.3 508.3 661					
289		D	1050 1695 2200	291.7 470.8 611					
290	400-550(I)		1535 2635 3420	426.3 731.9 950	1480	800	85	7	2400
291		A	1470 2520 3270	408.3 700 908.3					
292		B	1420 2418 3140	394 671.6 872					
293		C	1400 2311.5 3015	388.9 642 837.5					
294	D	1380 2235.6 2900	383.3 621 805.6						
295	400-550		1320 2190 2850	366.7 608.3 791.7	1480	500	86	5.9	2400
296		A	1280 2045.5 2660	355.6 568.2 738.9					
297		B	1230 1882 2450	341.7 522.7 680.6					
298		C	1211 1767.6 2300	336.4 491 638.9					
299	400-600		1571 2502 3250	436.4 695 902.8	1480	800	86	6.9	3200
300		A	1508 2422 3100	419 672.7 861					
301		B	1500 2354 3000	416.7 654 833.3					
302		C	1470 2225.5 2750	410 618.2 764					
303	D	1505 2127.6 2500	418.2 591 722						
304	400-600(I)		1919 3176.5 4100	533 882.4 1139	1480	1250	86	7.5	3200
305		A	1780 3007 3910	494.4 835.3 1086					
306		B	1740 2922.4 3800	483.3 811.8 1055.6					
307		C	1600 2732 3550	444.4 758.8 986					
308	D	1530 2641.6 3380	425 706 938.9						
309	500-520(I)		1900 3217.5 3960	527.8 893.8 1100	980	280	87	4.8	3200
310		A	1830 3088 3800	508.3 857.8 1055.6					

SOW型泵性能参数 SOW TYPE PUMP PERFORMANCE

序号 No	泵型号 Pump type	流量 Capacity		扬程 Head (m)	转速 Speed (r/min)	电机功率 Motor power (kw)	效率 Eff. (%)	必需汽蚀余量 (NPSH)r (m)	泵净重 Weight (kg)		
		(m³/h)	(L/s)								
311	500-520(I)	B	1750	486	28.6	220	84	4.8	3200		
312			C	2964.5						823.3	21
313				3650						1013.9	15.3
314	500-520	A	1680	466.7	26	200	82	4.3	3200		
315			B	2846						790.6	18.4
316				3485						968	13
317	500-520	D	1600	444.4	23.8	180	80	4.3	3200		
318			A	2732						758.9	16.3
319				3180						883.3	11.75
320	500-650(I)	A	1480	411	31.3	220	86	6.7	4500		
321			B	2777						771.4	22.5
322				3600						1000	14
323	500-650	B	1400	388.9	27.8	200	84	6.7	4500		
324			C	2638						732.8	19.5
325				3420						950	12.2
326	500-650	C	1250	347.2	22	160	81	6.7	4500		
327			D	2484						690	15.6
328				3000						833.3	11.2
329	500-710(I)	A	1160	322.2	18.5	132	78	4.8	4500		
330			B	2178.5						605.1	13.8
331				2790						775	9.2
332	500-650	B	2500	694	55	630	88	6.7	4500		
333			C	3200						889	50
334				3750						1042	44.5
335	500-650	C	2400	667	50	560	86	6.7	4500		
336			D	3050						847	45
337				3650						1014	40
338	500-650	A	2300	639	45	450	84	6.7	4500		
339			B	2900						806	41
340				3500						972	35.5
341	500-650	B	2200	611	43	400	82	6.7	4500		
342			C	2750						764	37
343				3300						917	32.5
344	500-650	C	2000	556	37	315	80	6.7	4500		
345			D	2600						722	32.5
346				3100						861	28
347	500-650	A	1820	505.6	41.8	355	87	4.8	4500		
348			B	2992						831.3	33.7
349				3890						1080	23.2
350	500-650	B	1730	480.6	37.8	315	86	4.8	4500		
351			C	2835						787.5	30.2
352				3695						1026	21
353	500-710(I)	A	1635	454	34	280	82	4.8	4500		
354			B	2722.5						756.3	27.7
355				3490						969.4	19
356	500-710(I)	C	1535	426.4	29	250	78	4.8	4500		
357			D	2642.5						706	24
358				3280						911	17
359	500-710(I)	A	2300	638.9	73.1	900	88.5	5.8	5240		
360			B	3852						1070	64.4
361				5040						1400	54
362	500-710(I)	B	2200	611.1	67.2	800	87	5.8	5240		
363			C	3672						1020	59.2
364				4840						1344.4	47.1
365	500-710(I)	C	2100	583.3	60.3	710	85	5.8	5240		
366			D	3470.4						964	53
367				4320						1200	43
368	500-710(I)	D	2000	555.6	56.4	560	83	5.8	5240		
369			A	3204						890	47.7
370				3960						1100	39
371	500-800(I)	A	1920	533.3	50	500	81	6.9	4900		
372			B	3024						840	42
373				3550						986.1	34.2
374	500-800(I)	B	2590	719.4	88.7	1120	89	6.9	4900		
375			C	3996						1110	80.6
376				5190						1441.7	67.9
377	500-800(I)	C	2460	683.3	78.4	900	87	6.9	4900		
378			A	3600						1000	72.8
379				4680						1300	61.8
380	500-800(I)	A	2340	650	69.8	800	85	6.9	4900		
381			B	3204						890	65.3
382				4100						1138.9	57
383	500-800(I)	B	2200	611.1	61	630	83	6.9	4900		
384			C	2880						800	58
385				3600						1000	52

SOW型泵性能参数 SOW TYPE PUMP PERFORMANCE

序号 No	泵型号 Pump type	流量 Capacity		扬程 Head (m)	转速 Speed (r/min)	电机功率 Motor power (kw)	效率 Eff. (%)	必需汽蚀余量 (NPSH)r (m)	泵净重 Weight (kg)		
		(m³/h)	(L/s)								
336	500-800	A	2385	662.5	70.7	800	88	5.2	4900		
337			B	3474						965	62.5
338				4600						1277.8	47.5
339	500-800	A	2265	629	63.1	710	86	5.2	4900		
340			B	3330						925	55.8
341				4370						1213.9	44
342	500-800	B	2150	597.2	56.2	560	84	5.2	4900		
343			C	3150						875	49.6
344				4150						1152.8	39.2
345	500-860(I)	A	2050	569.7	48	500	80	6.9	5000		
346			B	2970						825	43.6
347				3940						1094	35.8
348	500-860(I)	A	2520	700	124	1600	89	6.9	5000		
349			B	4183.2						1162	111.2
350				5440						1511	96.2
351	500-860(I)	A	2380	661.1	112.4	1400	87	6.9	5000		
352			B	3996						1110	100.7
353				5140						1428	86
354	500-860(I)	B	2250	625	102.4	1250	83	6.9	5000		
355			C	3780						1050	90.4
356				4870						1352.8	77.5
357	500-860(I)	C	2115	587.5	90.4	1120	80	6.9	5000		
358			D	3528						980	80.4
359				4320						1300	70.6
360	500-860	A	2400	666.7	99.6	1120	88.5	5.5	5000		
361			B	3600						1000	90
362				4680						1300	73
363	500-860	A	2300	638.9	93.4	1000	86	5.5	5000		
364			B	3492						970	82.9
365				4500						1250	68
366	500-860	B	2200	611.1	87.2	900	84	5.5	5000		
367			C	3384						940.3	77.2
368				4300						1194.4	63.8
369	500-860	C	2090	580.6	81	800	82	5.5	5000		
370			D	3204						890	71.2
371				4085						1134.7	59
372	500-860	D	1985	551.4	75	800	80	5.5	5000		
373			A	3081.6						856	65.8
374				3850						1069	55.6
375	500-1050	A	2100	583	173	2000	85	6.5	6300		
376			B	3500						972	150
377				4500						1250	125
378	500-1050	A	1950	542	162	1800	84	6.5	6300		
379			B	3250						903	138
380				4225						1174	110
381	500-1050	B	1800	500	143	1600	83	6.5	6300		
382			C	3000						833	125
383				3900						1083	100
384	500-1050	C	1710	475	138	1400	82	6.5	6300		
385			D	2850						792	112
386				3705						1029	88
387	600-560(I)	A	3140	872.2	31.9	400	87	6	4500		
388			B	4716						1310	24.2
389				6100						1694.4	14.3
390	600-560(I)	A	2970	825	28.5	355	85	6	4500		
391			B	4428						1230	21.5
392				5670						1575	13.1
393	600-560(I)	B	2790	775	23.8	250	83	6	4500		
394			C	4046.4						1124	17.8
395				5054						1459.7	11
396	600-560(I)	C	2620	727.8	20.2	220	81	6	4500		
397			A	3787						1052	15.4
398				4860						1350	10
399	600-560	A	2665	740	27.4	280	85	6.1	4500		
400			B	3996						1110	20.2
401				4950						1375	13.3
402	600-560	A	2545	707	24.2	250	83	6.1	4500		
403			B	3744						1040	17.8
404				4600						1277.8	11.6
405	600-560	B	2420	672.2	20.7	200	81	6.1	4500		
406			C	3461.5						961.5	15.63
407				4280						1188.9	10
408	600-560	C	2300	639	17.3	160	79	6.1	4500		
409			A	3157						877	13
410				4000						1111	8.4

SOW型泵性能参数 SOW TYPE PUMP PERFORMANCE

序号 No	泵型号 Pump type	流量 Capacity		扬程 Head (m)	转速 Speed (r/min)	电机功率 Motor power (kw)	效率 Eff. (%)	必需汽蚀余量 (NPSH)r (m)	泵净重 Weight (kg)	
		(m³/h)	(L/s)							
361	600-630(I)		3170 4736.5 5940	880.6 1315.7 1650	47 39 30	980	630	88	7.8	4700
362		A	2980 4420 5580	827.8 1230 1550	40.8 34.1 26					
363		B	2800 4080 5040	777.8 1133 1400	34.6 29.1 23.2					
364		C	2630 3755 4450	730.6 1043 1236	29 24.8 20.2					
365	600-630		2400 3712.5 4640	667 1031 1288.9	39.8 33 25.2	980	450	87	6.2	4700
366		A	2250 3442.5 4360	625 956 1211	34.8 29 22					
367		B	2125 3172.5 3990	590 881 1108	30 25 20					
368		C	2000 2947.5 3600	555.6 818.8 1000	24.5 21.4 18					
369	600-720(I)		2915 4630 6050	809.7 1286 1680	68.8 58.4 43.4	980	900	89	6.5	4800
370		A	2740 4320 5680	761 1200 1577.8	60 50 36					
371		B	2595 4050 5220	721 1125 1450	52.4 43 31.2					
372		C	2425 3752 4680	673.6 1042 1300	43.8 35.2 26.8					
373	600-720		2610 3588 4650	725 994 1291.7	61.9 53.7 39	980	710	88	5.2	4800
374		A	2450 3312 4360	680.6 920 1211	52.2 45.8 32.8					
375		B	2315 3105 4000	643.1 862.5 1111.1	46.2 40.5 30.8					
376		C	2150 2902.5 3720	597 806 1033	39.8 35.1 27.5					
377	600-860(I)		3750 5538 6910	763.9 1538.3 1919.4	102 87.5 70	980	1600	89	8.5	5300
378		A	3525 5109 6490	949.2 1419.2 1803	91 77 58					
379		B	3300 4680 5750	916.7 1300 1597	78 65.5 53					
380		C	3000 4355 5050	833.3 1209 1403	65 56 46					
381	600-860		2950 4356 5660	819.4 1210 1572	77.3 66.2 50.6	980	1000	88	5.9	5300
382		A	2800 4100 5320	777.8 1138.9 1477.8	69 58.2 42					
383		B	2650 3818.8 4780	736 1060.8 1327.8	60.2 50.2 37					
384		C	2490 3482 4250	691.7 967.3 1180.6	52 42.4 32.2					
385	700-580(I)		4265 6568 8100	1185 1824.4 2250	37.8 29.8 22.6	980	710	87	8.2	5100

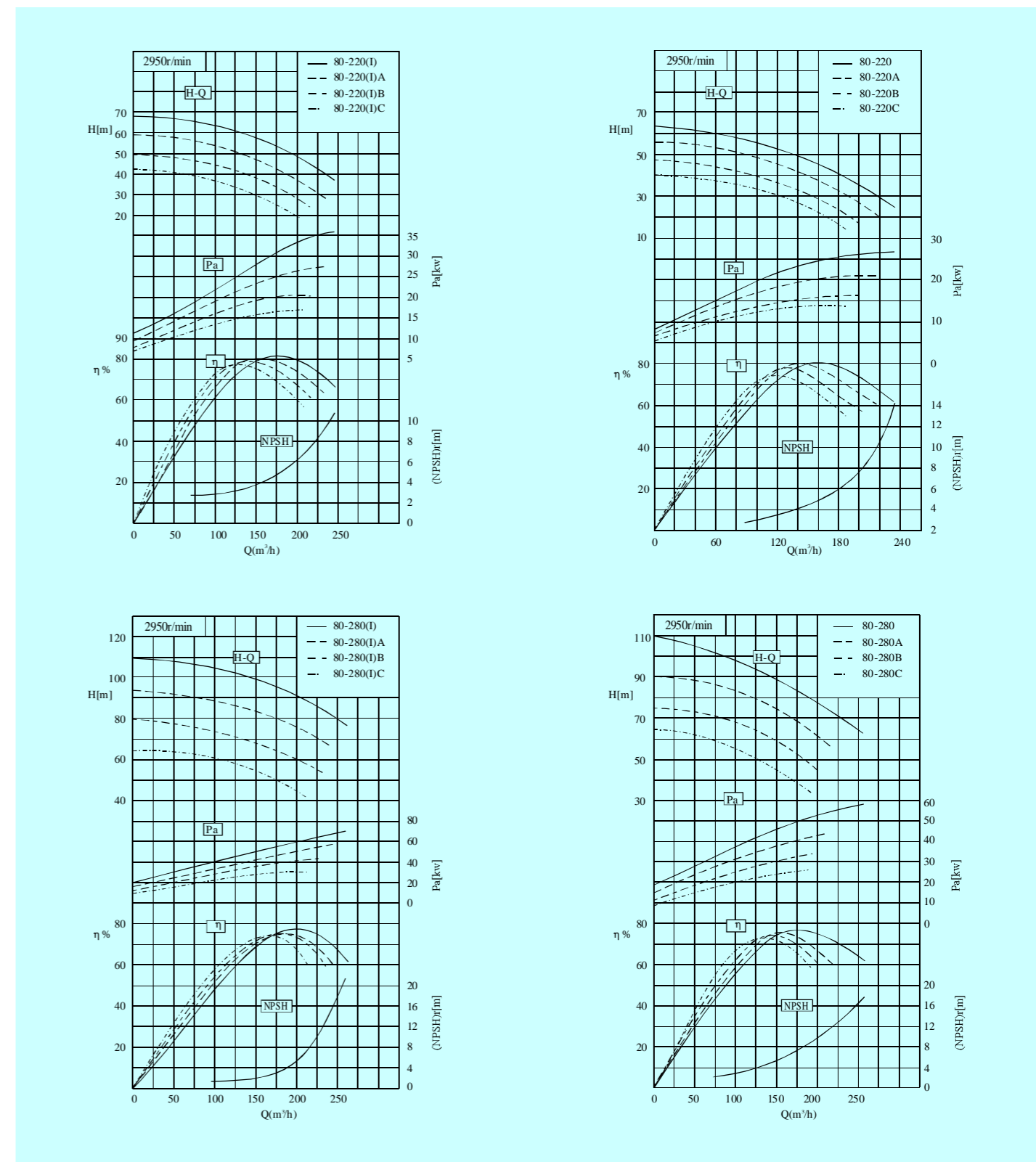
SOW型泵性能参数 SOW TYPE PUMP PERFORMANCE

序号 No	泵型号 Pump type	流量 Capacity		扬程 Head (m)	转速 Speed (r/min)	电机功率 Motor power (kw)	效率 Eff. (%)	必需汽蚀余量 (NPSH)r (m)	泵净重 Weight (kg)	
		(m³/h)	(L/s)							
386	700-580(I)	A	4180 6322 7840	1161 1756 2177.8	34.4 27.8 21.2	980	630	85	8.2	5100
387		B	3970 6048 7450	1102.8 1680 2069.4	31.3 25.9 20.9					
388		C	3770 5895 7000	1047.2 1637.5 1944	28.8 24 20					
389	700-580		3190 4968 6480	886 1380 1800	34.2 23.5 10.8	980	400	87	6.1	5100
390		A	3030 4749 6150	841.7 1319 1708	31.2 21.6 10.8					
391		B	2890 4562 5840	802.8 1267 1622	27.9 19.8 10.7					
392		C	2745 4355 5550	762.5 1209.7 1541.7	24.4 17.9 10.2					
393	700-700(I)		3650 6516 8470	1014 1810 2352.8	58.5 43.5 28.2	980	1000	87	8	6500
394		A	3500 6278 8050	972.2 1744 2236	54.5 40.2 26.2					
395		B	3360 5971 7560	933.3 1658.6 2100	50.4 36.8 25.2					
396		C	3225 5742 7130	895.8 1595 1980.6	45 31.8 22.8					
397	700-700		3475 5619 7130	965.3 1560.8 1980.6	51 39.2 27.8	980	800	86	7	6500
398		A	3300 5365 6550	916.7 1790 1819.4	45.2 34.8 26.5					
399		B	3160 5004 6200	877.8 1390 1722	40.2 31.4 24.2					
400		C	3000 4631.5 5760	833.3 1286.5 1600	35.5 27.2 21.2					
401	700-830(I)		4680 7416 9850	1300 2060 2736	93 79.6 58	980	2000	89	8.8	6700
402		A	4425 6959 9180	1229 1933 2550	81.8 67.8 48					
403		B	4200 6552 8420	1166.7 1820 2339	70.8 58 42.8					
404		C	3950 6012 7520	1097.2 1670 2086	59 47.5 36					
405	700-830		3465 5400 6620	962.5 1500 1939	72 60 46	980	1120	88	6.6	6700
406		A	3270 4950 5900	908.3 1375 1639	63.5 53.8 42.2					
407		B	3070 4408 5260	852.8 1224.4 1461	55 46.5 38.8					
408		C	2885 3898 4650	801.4 1083 1291.7	47 41.3 35.2					
409	800-770(I)		5870 9090 11000	1630.5 2525 3055.6	36.6 26.8 18.2	730	800	87	7	7800
410		A	5575 8622 10370	1508.6 2395 2880.6	33.6 24.3 16.3					

SOW型泵性能参数 SOW TYPE PUMP PERFORMANCE

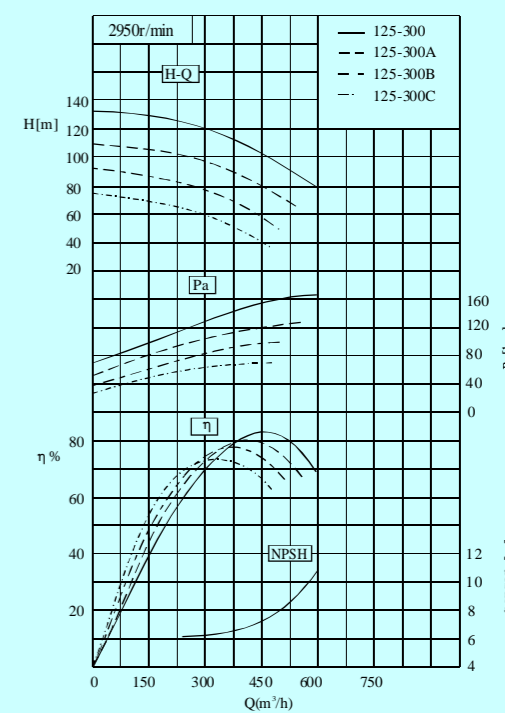
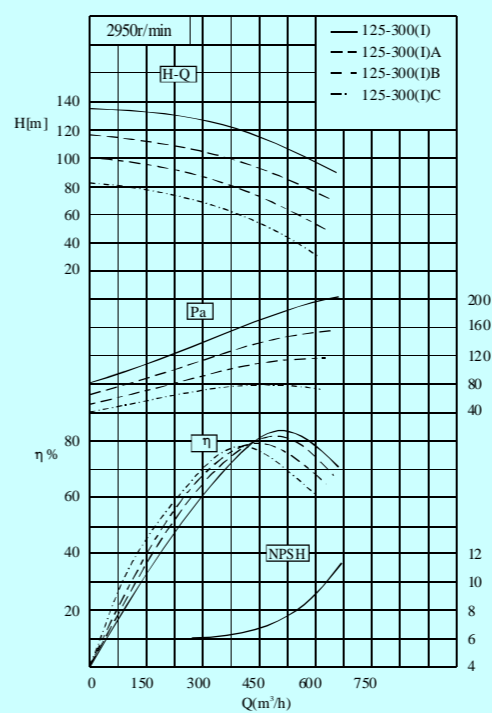
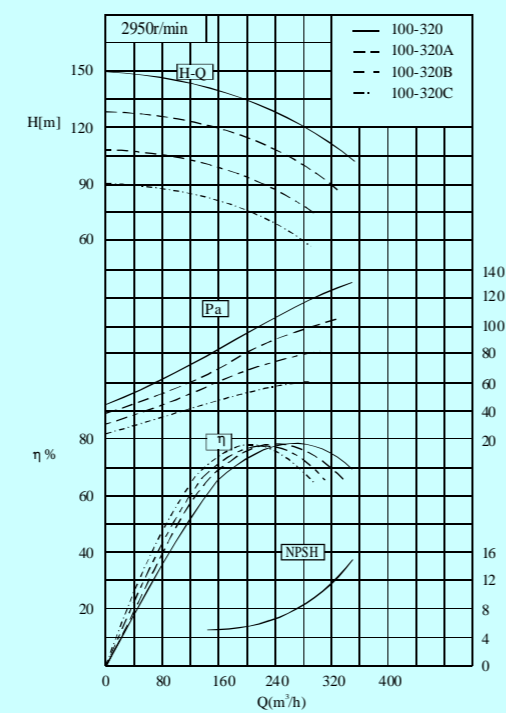
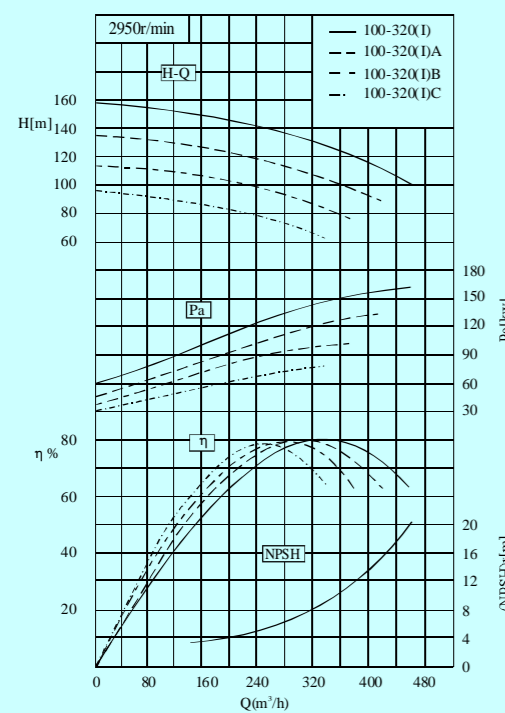
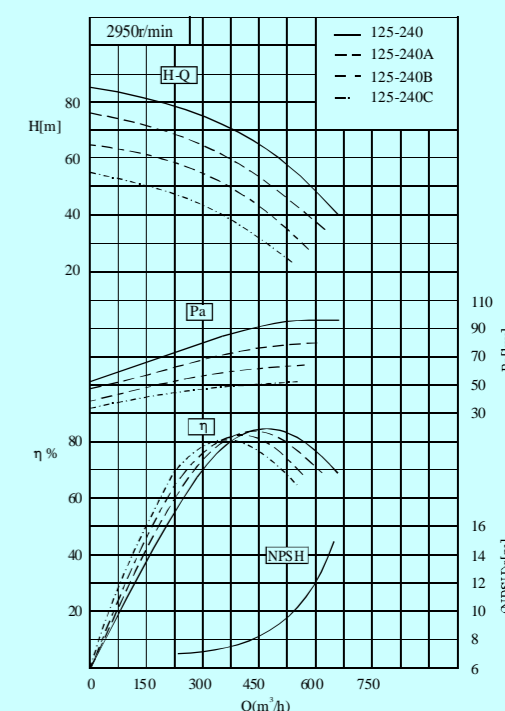
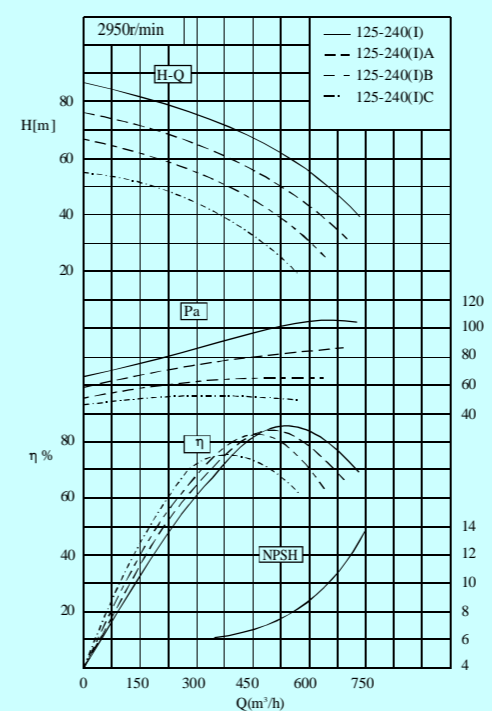
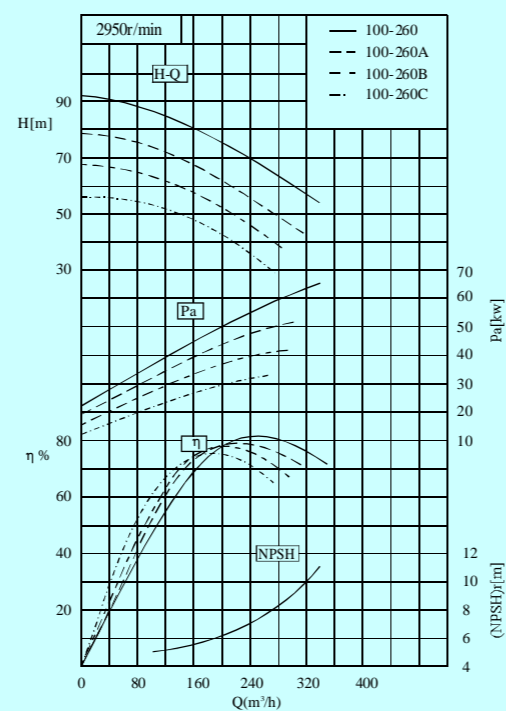
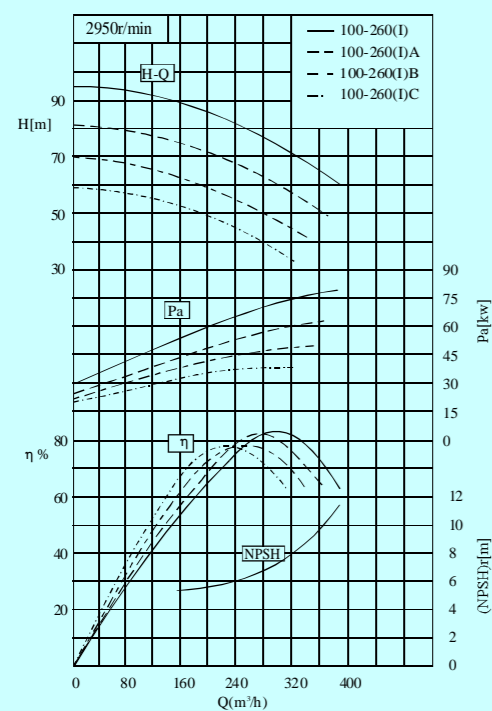
序号 No	泵型号 Pump type	流量 Capacity		扬程 Head (m)	转速 Speed (r/min)	电机功率 Motor power (kw)	效率 Eff. (%)	必需汽蚀余量 (NPSH)r (m)	泵净重 Weight (kg)	
		(m³/h)	(L/s)							
411	800-770(I)	B	5295	1471	730	710	83	7	7800	
412			C	8280						2300
	9850			2736						
413	800-770		4825	1340.3	730	560	86	7.2	7800	
414			A	7273						2020
				9180						2550
415		B	4585	1273.6						
			6966	1935						
			8720	2422.2						
416	C	4355	1209.7							
		6599	1833							
		8240	2289							
417	800-880(I)		6375	1770.8	730	1400	88	6.3	8300	
418			A	9022.5						2506
				11620						3227.8
419		B	6120	1700						
			8658	2405						
			11160	3100						
420		C	5815	1615.3						
			8262	2295						
			10600	2944.4						
421		D	5550	1541.7						
			7884	2190						
			10120	2811						
422	800-880		4790	1330.6	730	1120	87	5.8	8300	
423			A	7455						2071
				9800						2722.2
424		B	4600	1277.8						
			7142	1984						
			9250	2569.4						
425		C	4400	1222.2						
			6768	1880						
			8830	2452.7						
426		D	4180	1161						
			6426	1785						
			8310	2308.3						
427	800-980(I)		3970	1102.8	730	2000	89	6.7	9130	
428			A	6030						1675
				7865						2185
429		B	6600	1833						
			9810	2725						
			11660	3239						
430		C	6335	1759.7						
			9300	2583.3						
			11090	3080.6						
431	800-980		5770	1603	730	1400	89	5.7	9130	
432			A	8525						2368
				9685						2690
433		B	5300	1472						
			8017	2227						
			10850	3014						
434		C	5125	1423.6						
			7668	2130						
			10260	2850						
435		D	4920	1366.7						
			7236	2010						
			9540	2650						
		4720	1311							
		6840	1900							
		8820	2450							
		4530	1358.3							
		6408	1780							
		8258	2291.7							

SOW型泵性能曲线图 SOW TYPE PUMP PERFORMANCE CURVE CHART



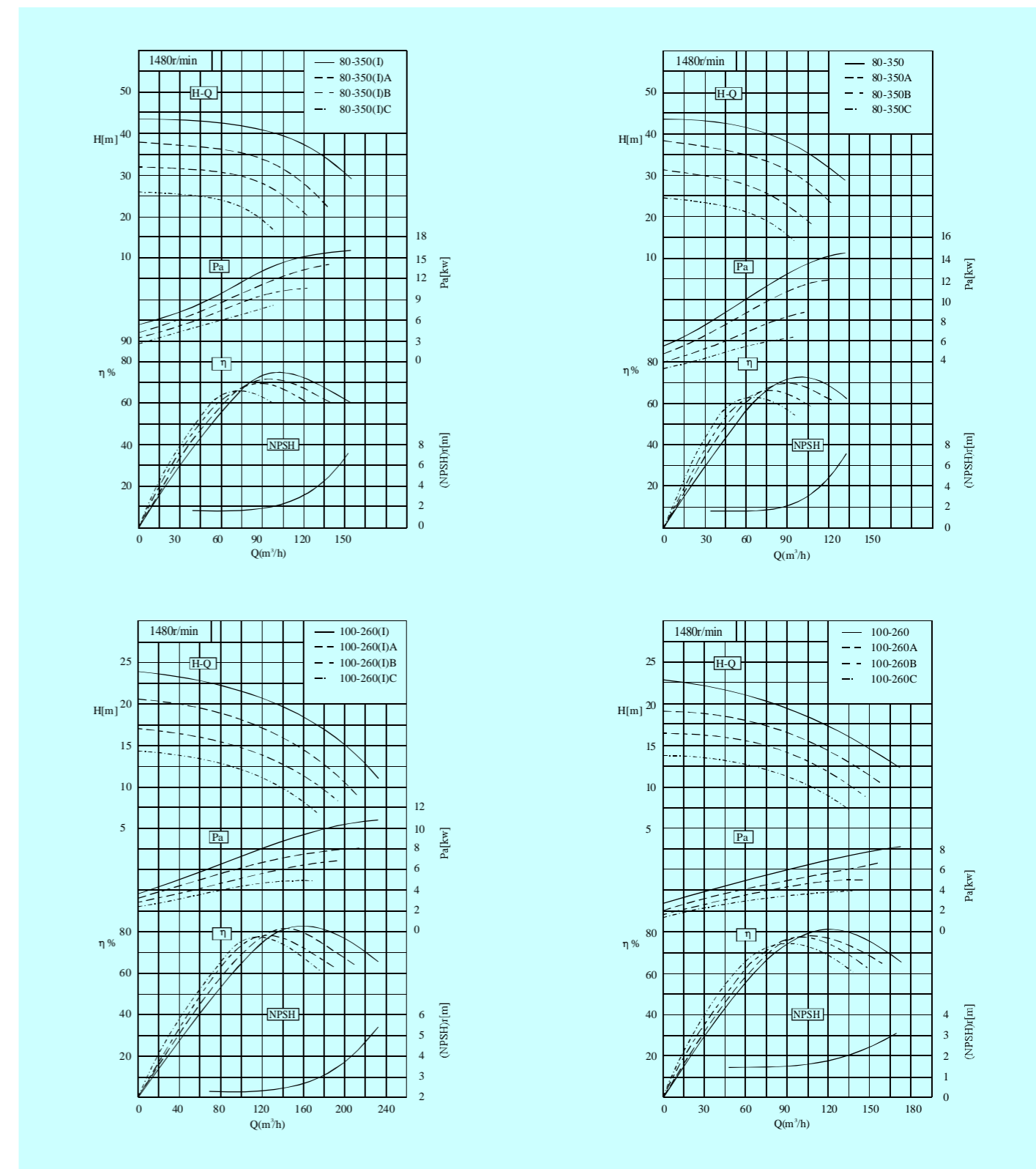
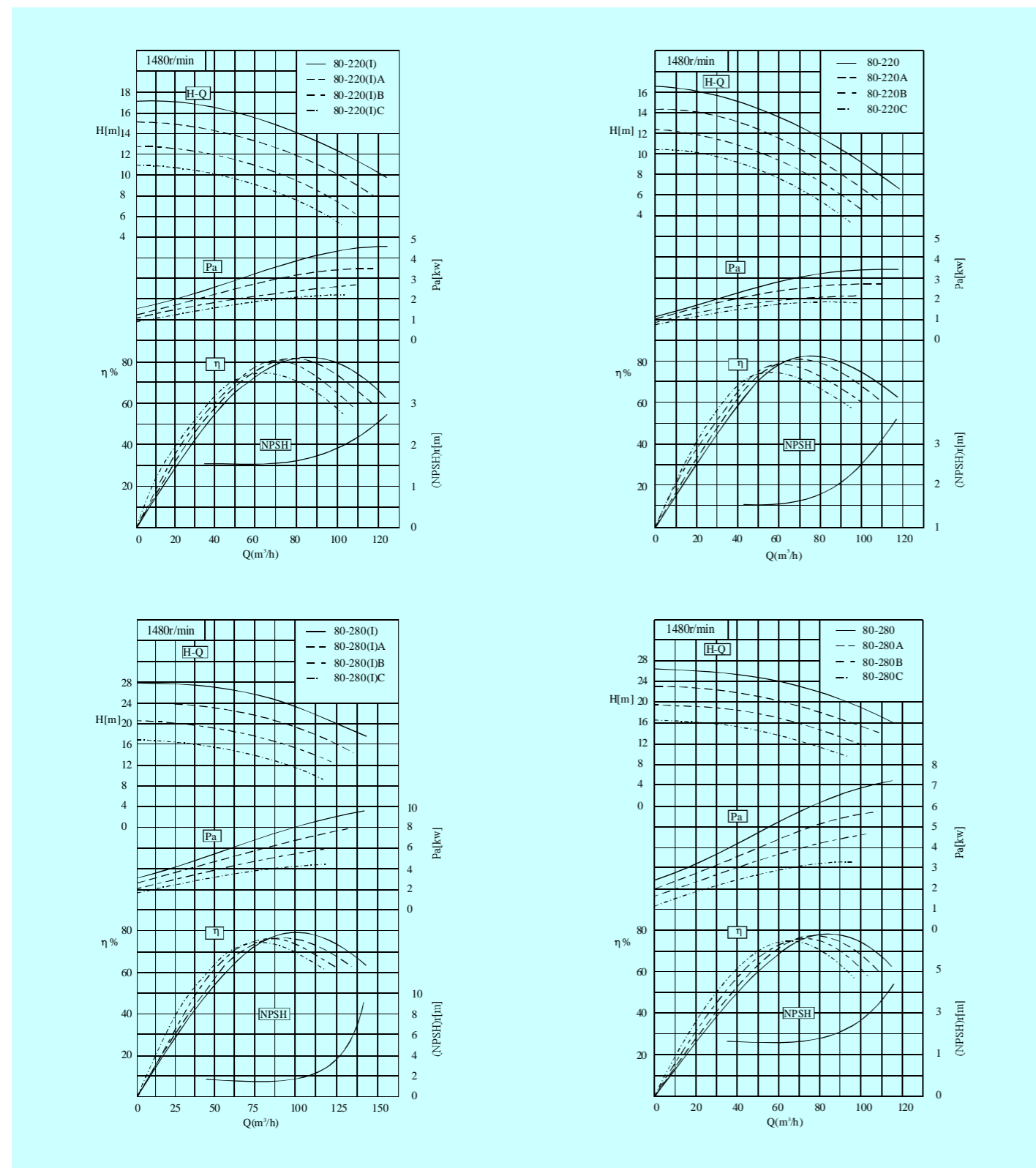
SOW型泵性能曲线图 SOW TYPE PUMP PERFORMANCE CURVE CHART

SOW型泵性能曲线图 SOW TYPE PUMP PERFORMANCE CURVE CHART



SOW型泵性能曲线图 SOW TYPE PUMP PERFORMANCE CURVE CHART

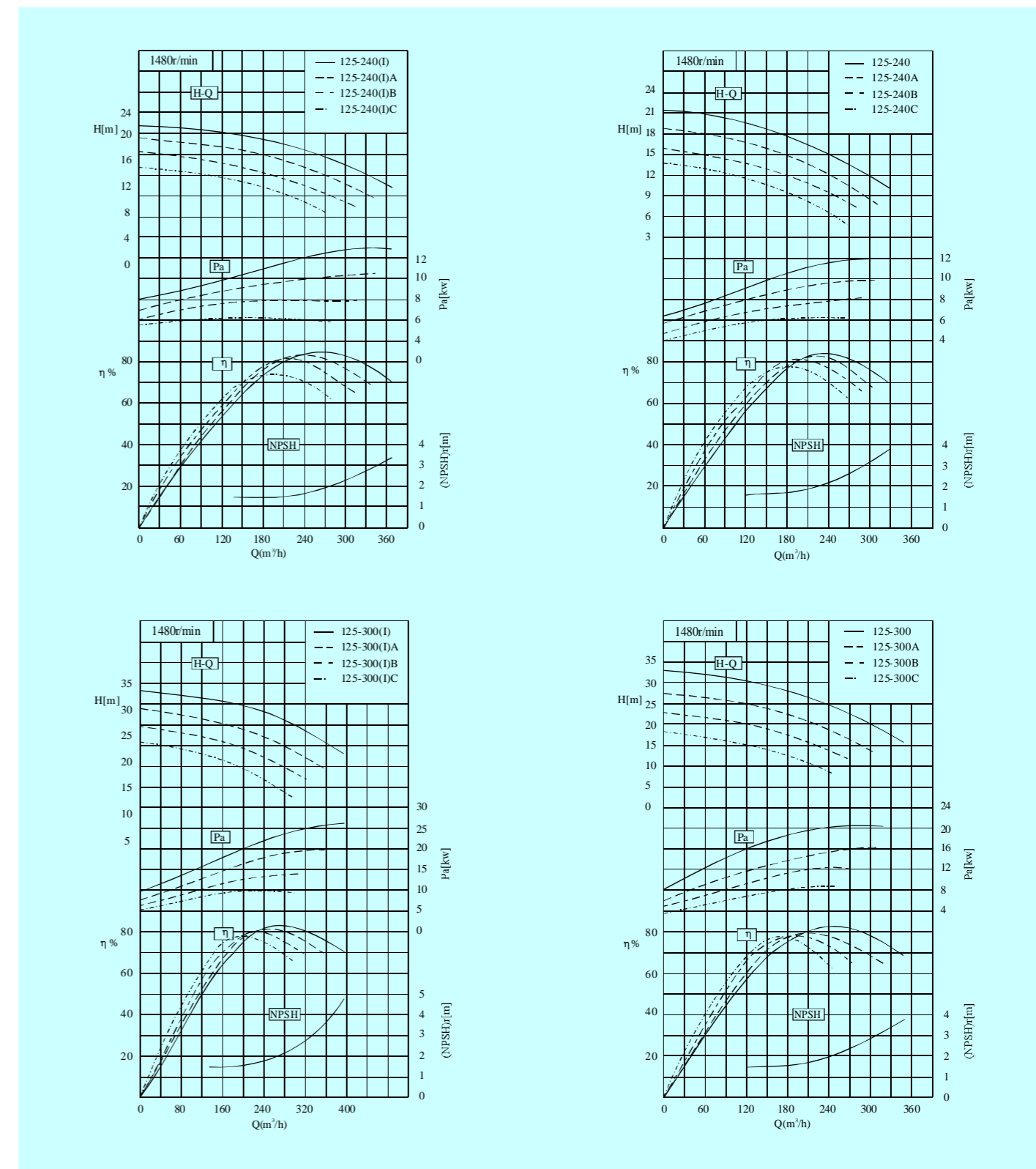
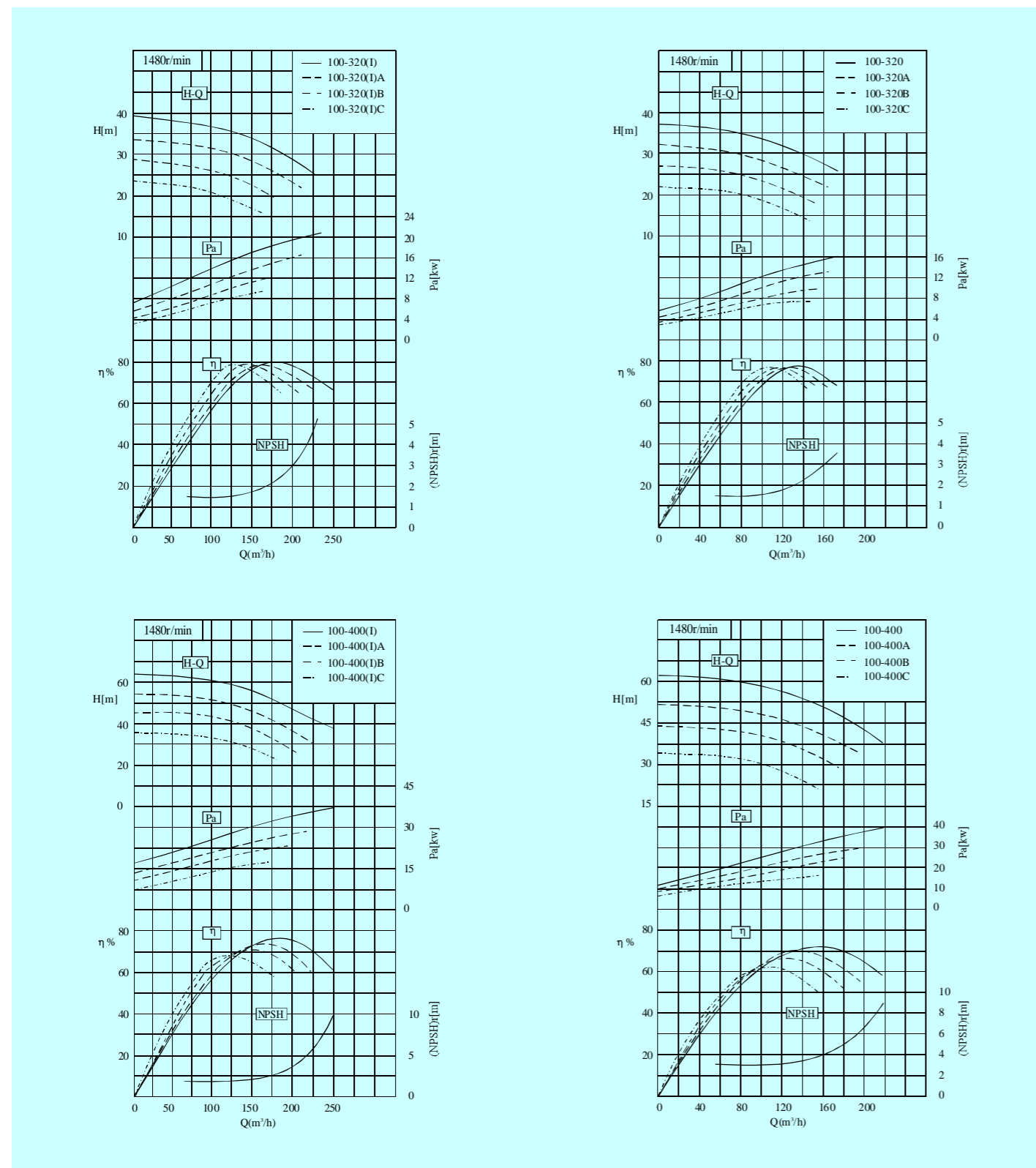
SOW型泵性能曲线图 SOW TYPE PUMP PERFORMANCE CURVE CHART





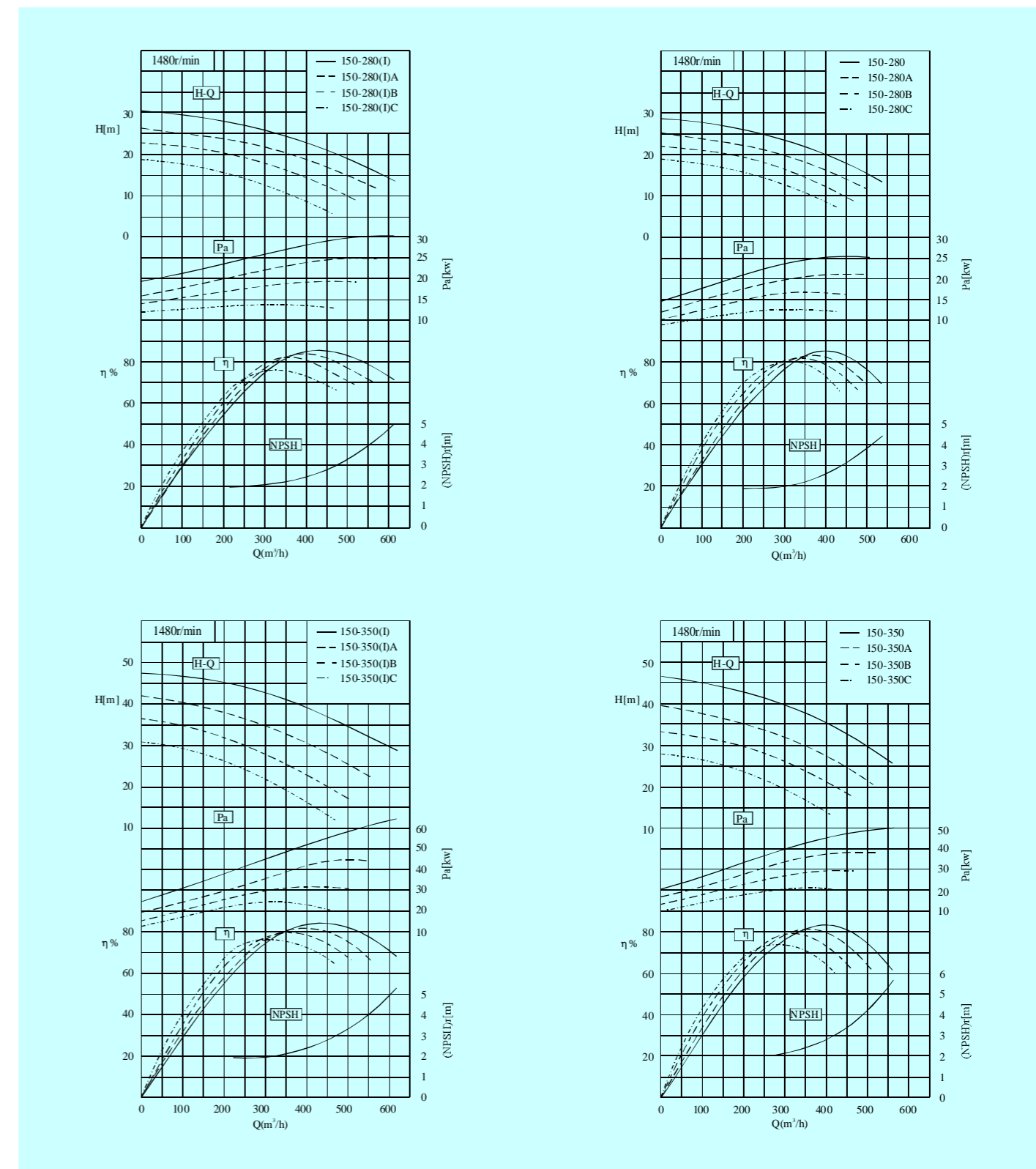
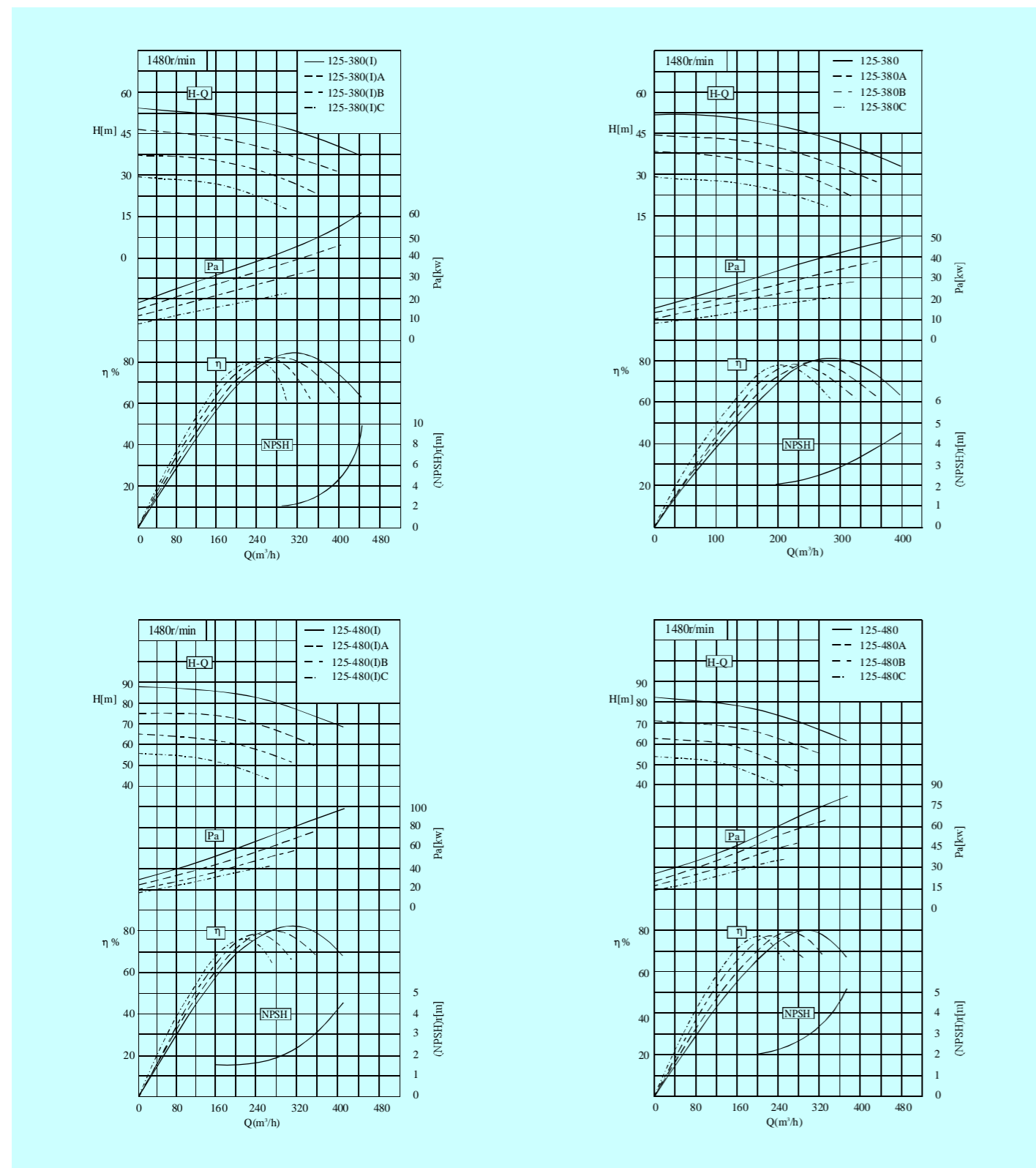
SOW型泵性能曲线图 SOW TYPE PUMP PERFORMANCE CURVE CHART

SOW型泵性能曲线图 SOW TYPE PUMP PERFORMANCE CURVE CHART



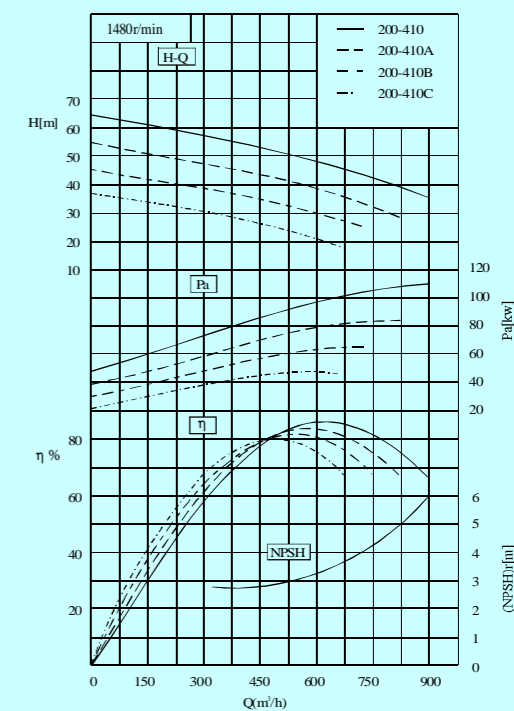
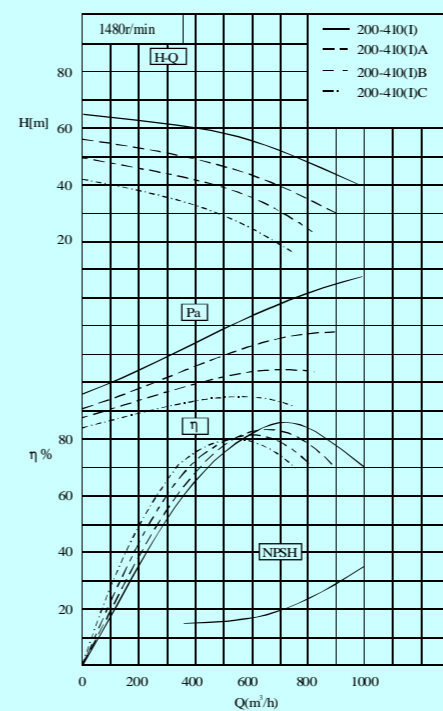
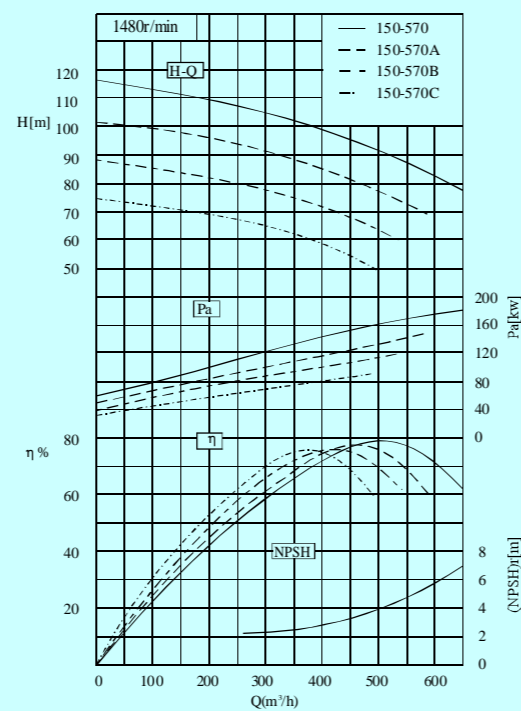
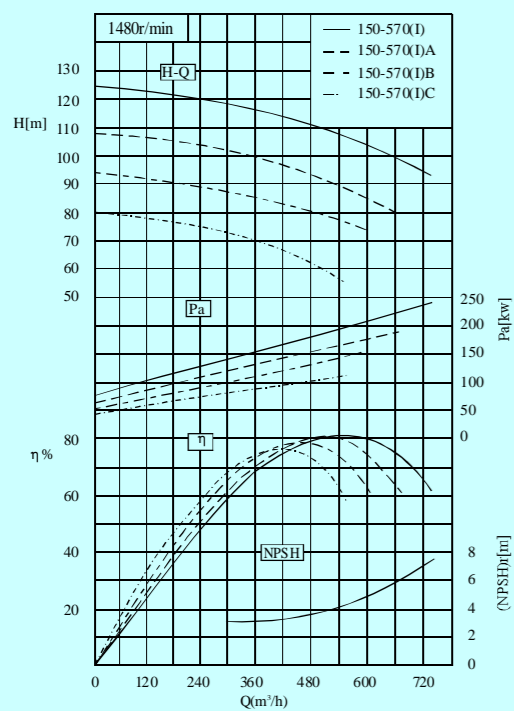
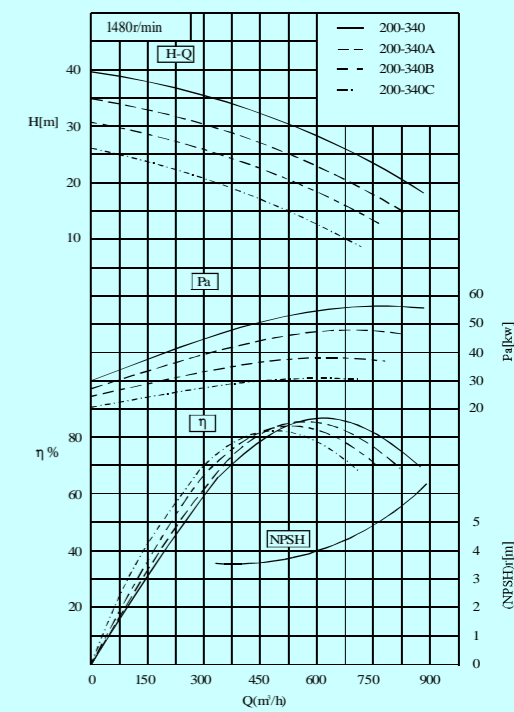
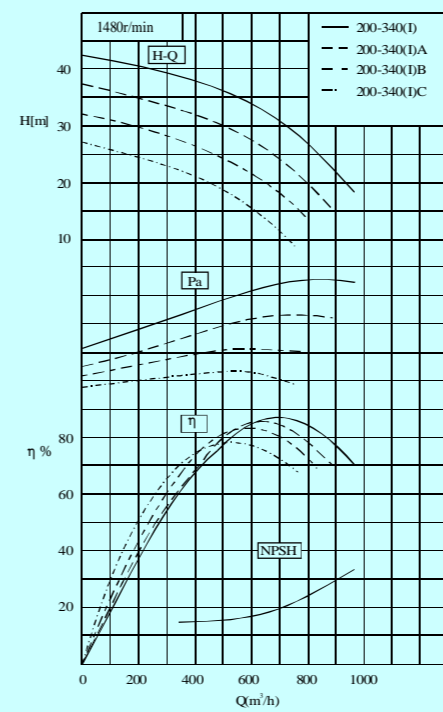
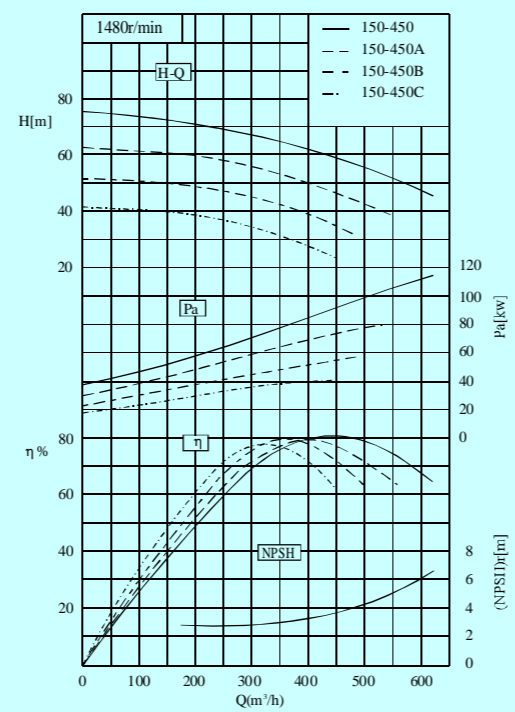
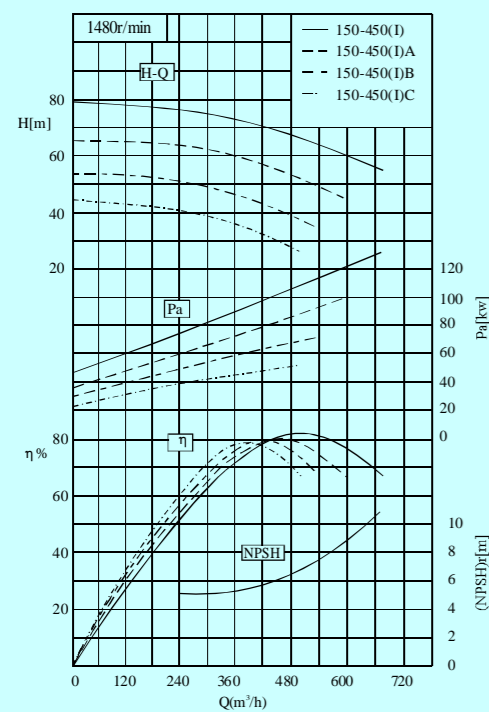
SOW型泵性能曲线图 SOW TYPE PUMP PERFORMANCE CURVE CHART

SOW型泵性能曲线图 SOW TYPE PUMP PERFORMANCE CURVE CHART

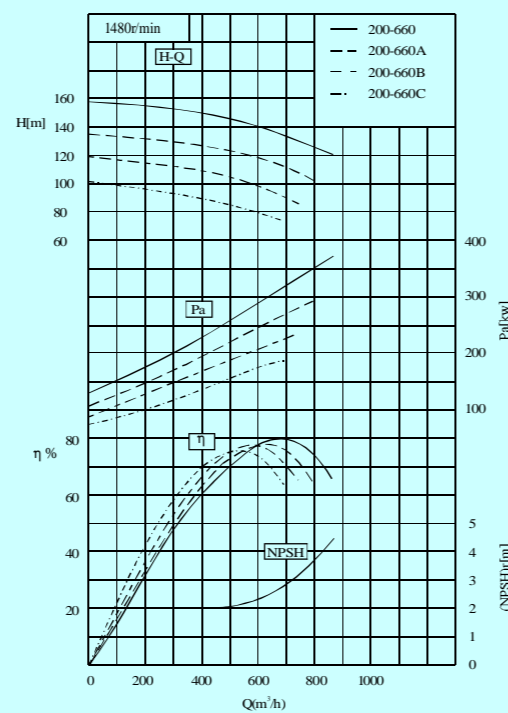
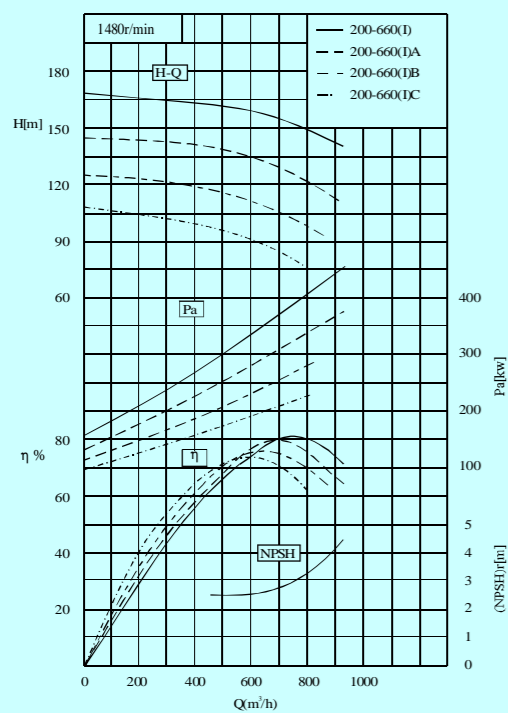
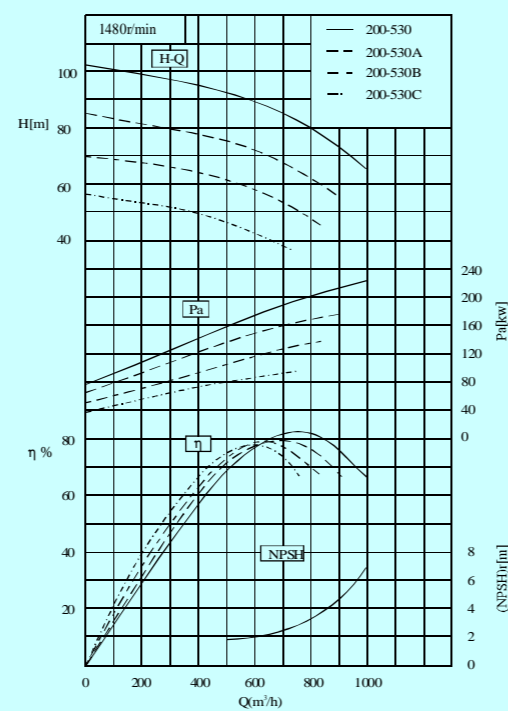
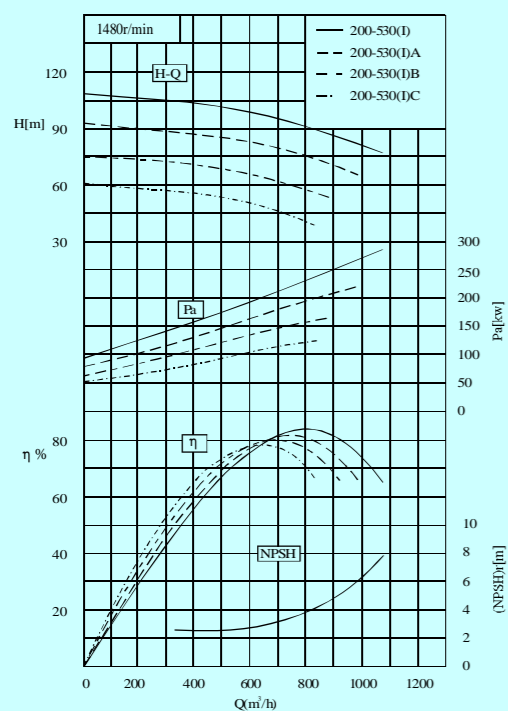


SOW型泵性能曲线图 SOW TYPE PUMP PERFORMANCE CURVE CHART

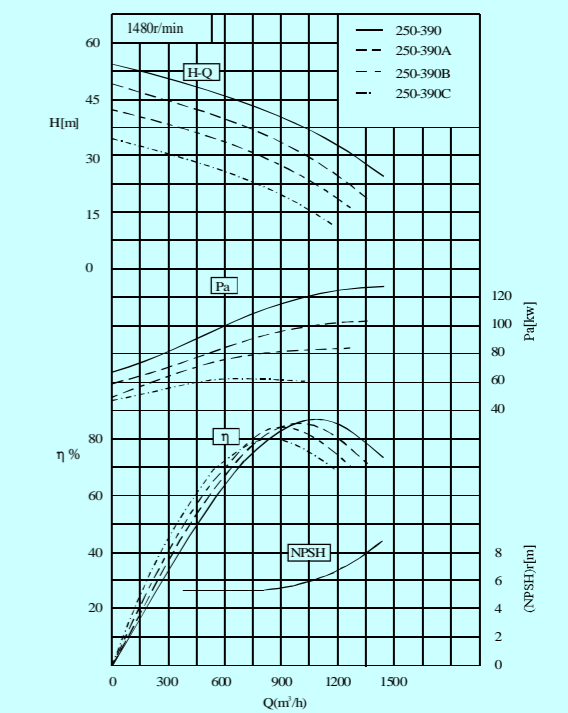
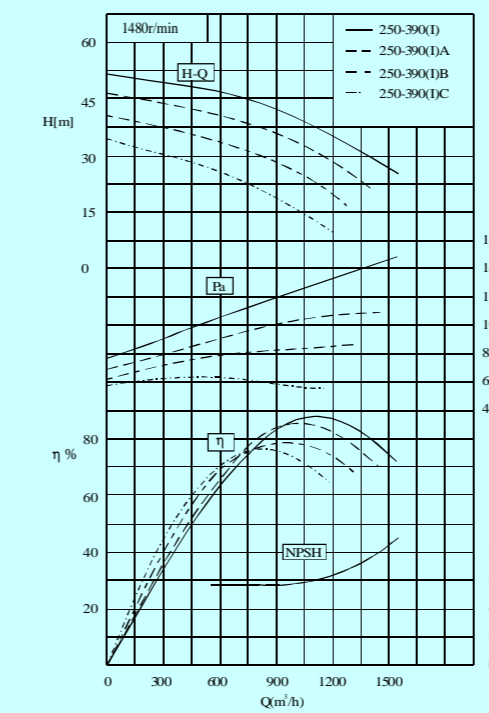
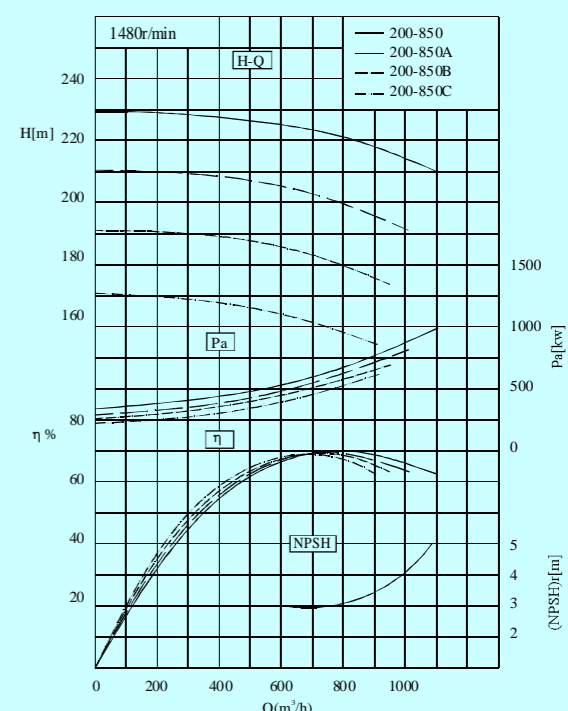
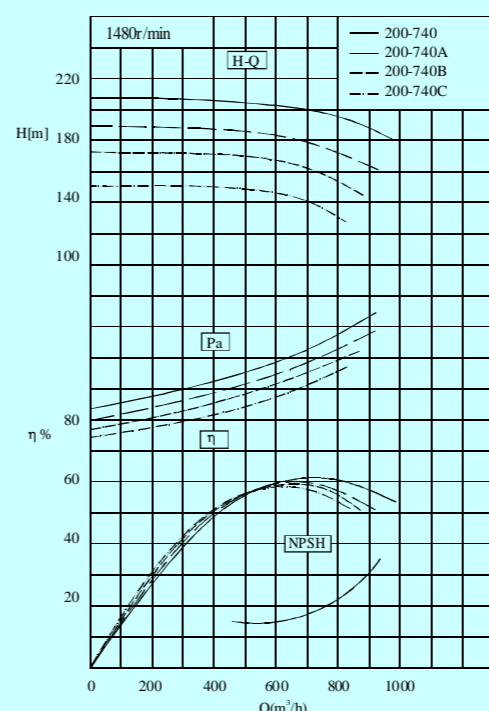
SOW型泵性能曲线图 SOW TYPE PUMP PERFORMANCE CURVE CHART



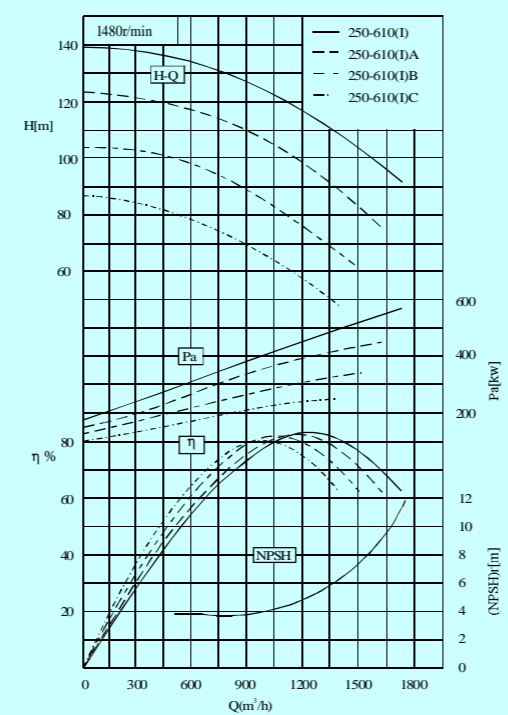
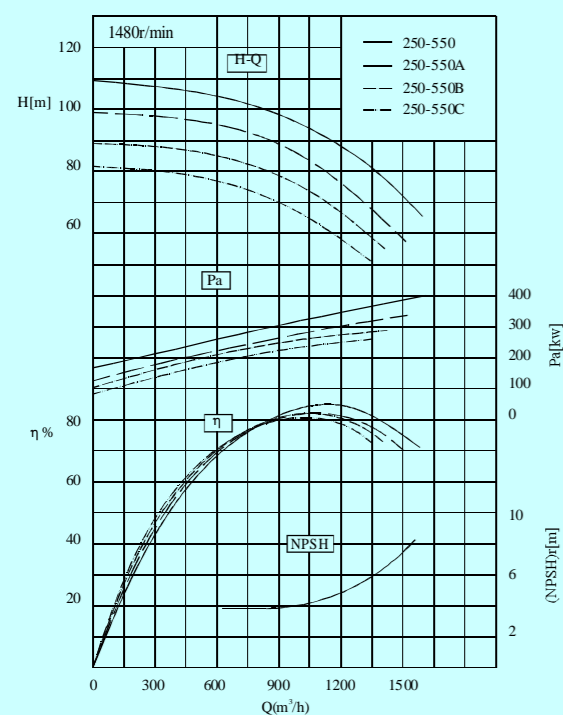
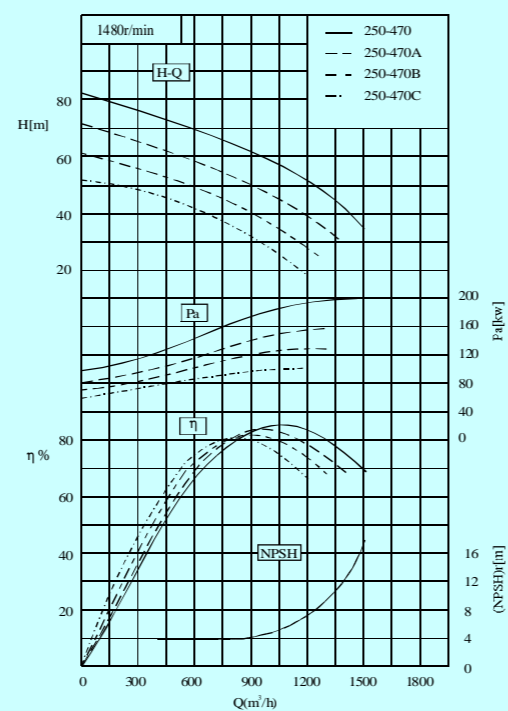
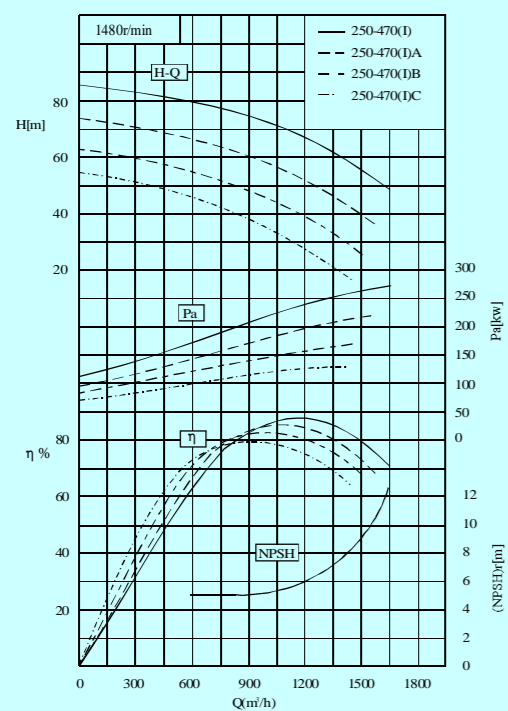
SOW型泵性能曲线图 SOW TYPE PUMP PERFORMANCE CURVE CHART



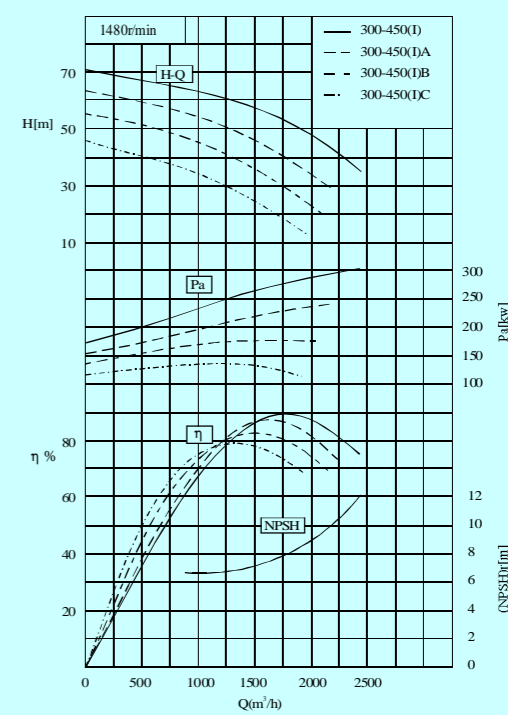
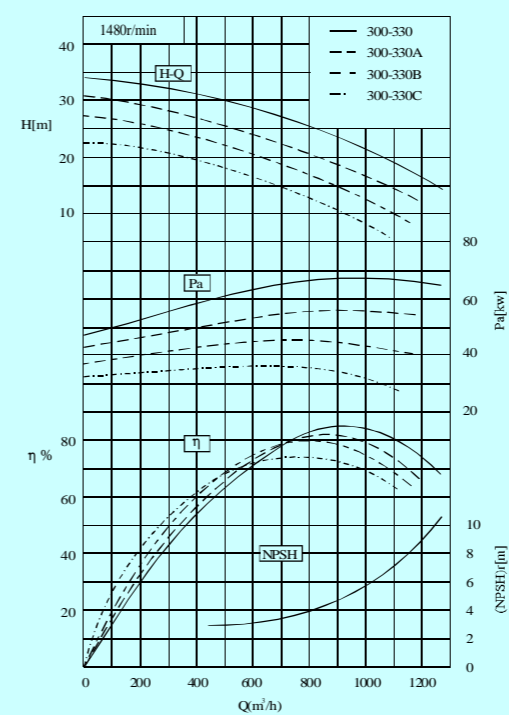
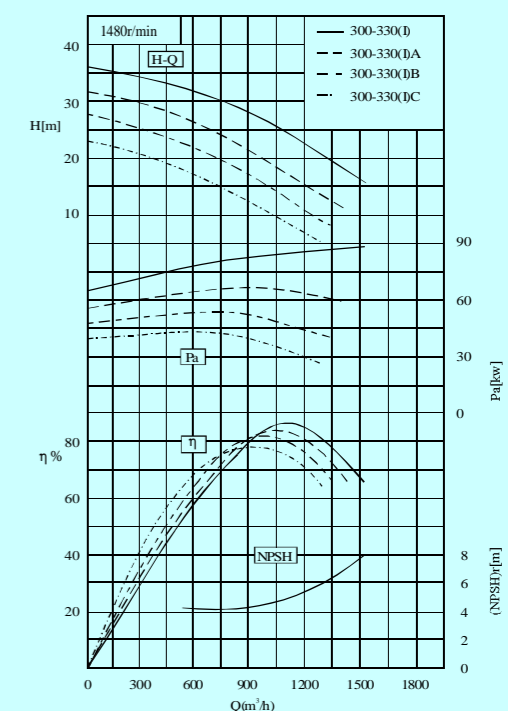
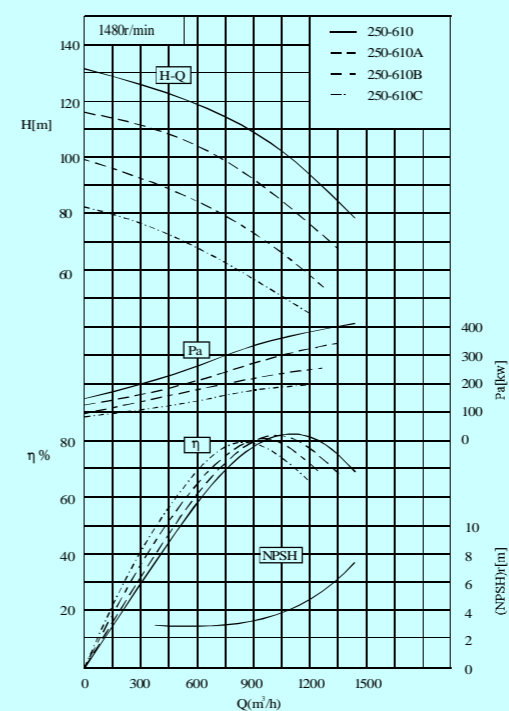
SOW型泵性能曲线图 SOW TYPE PUMP PERFORMANCE CURVE CHART



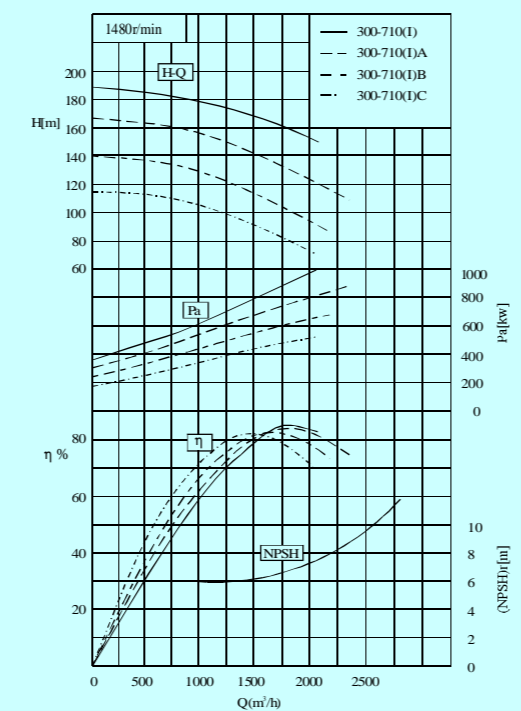
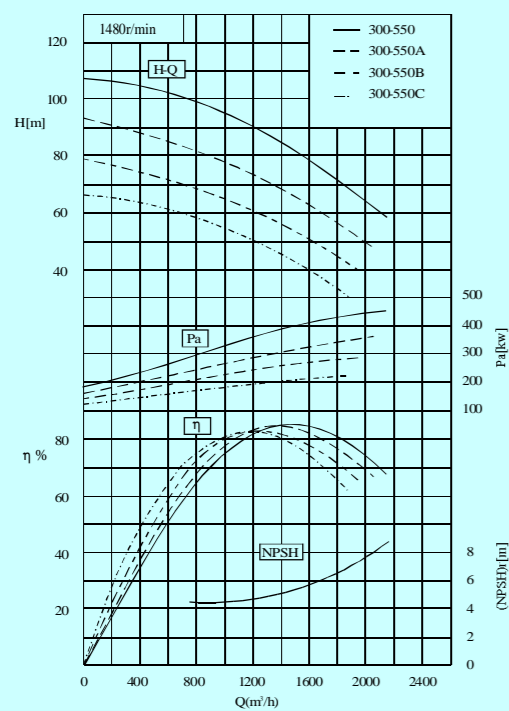
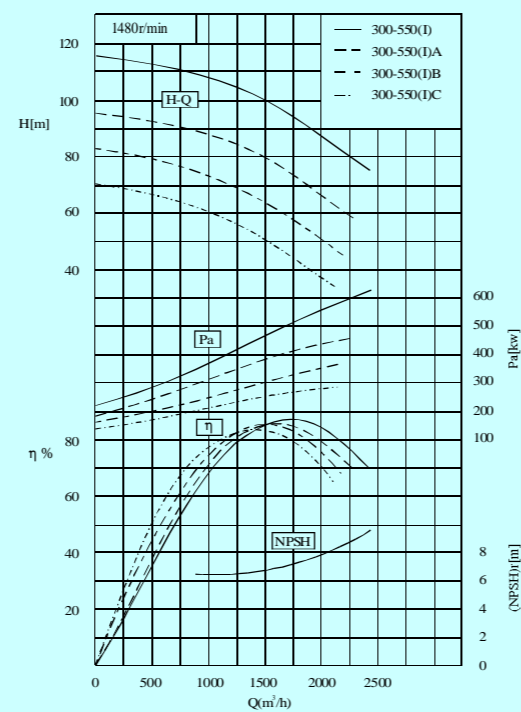
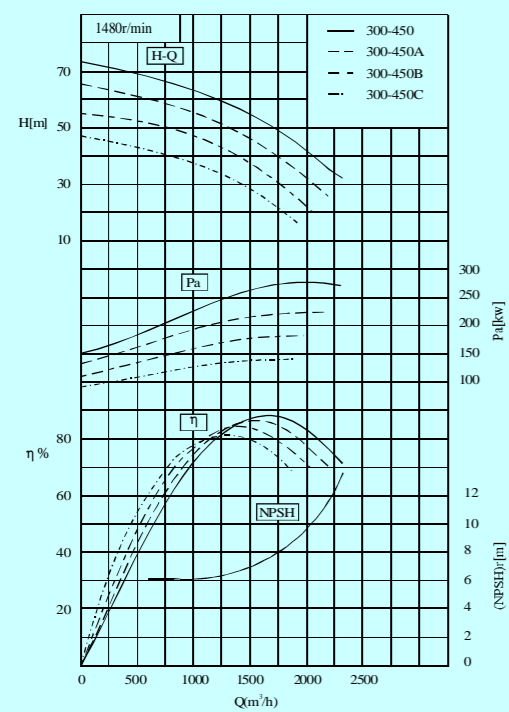
SOW型泵性能曲线图 SOW TYPE PUMP PERFORMANCE CURVE CHART



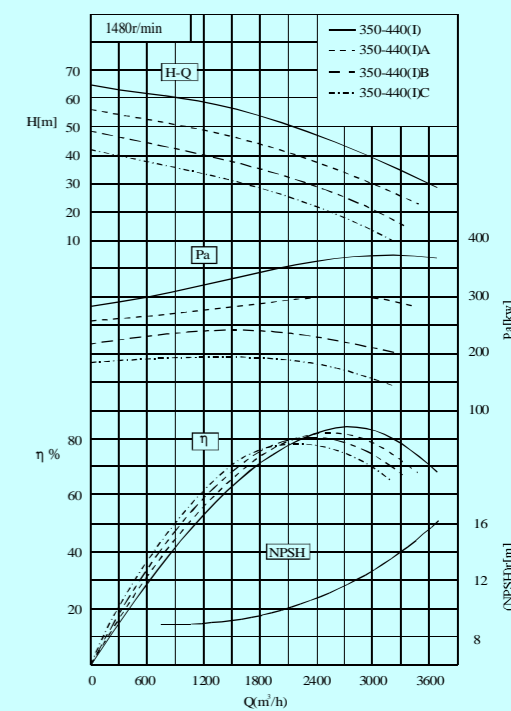
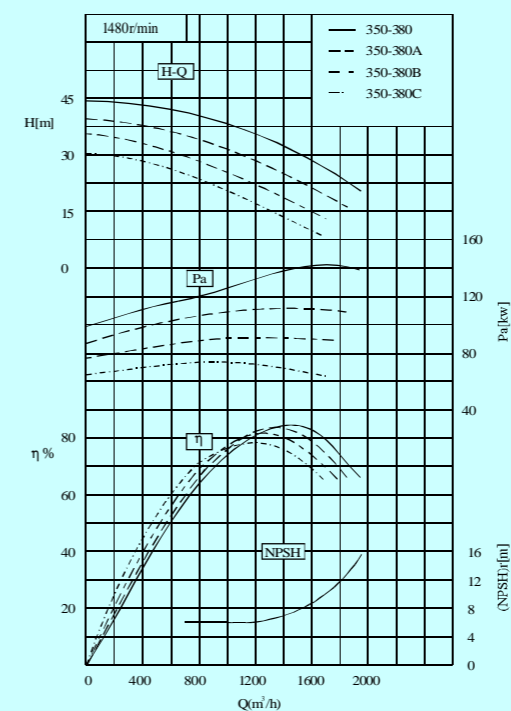
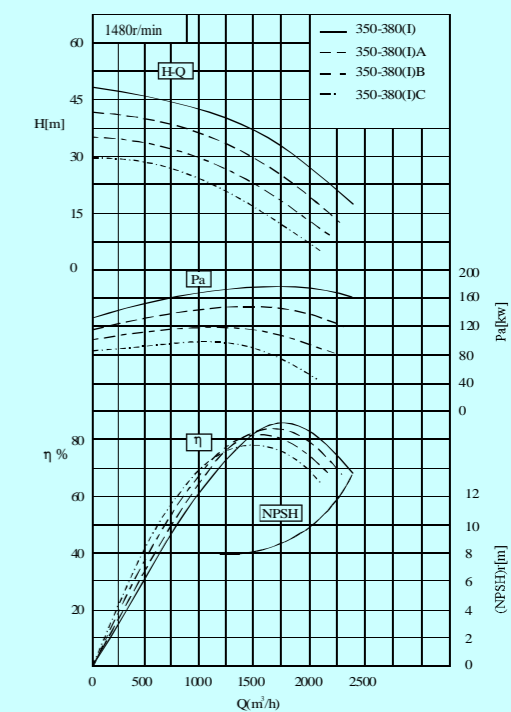
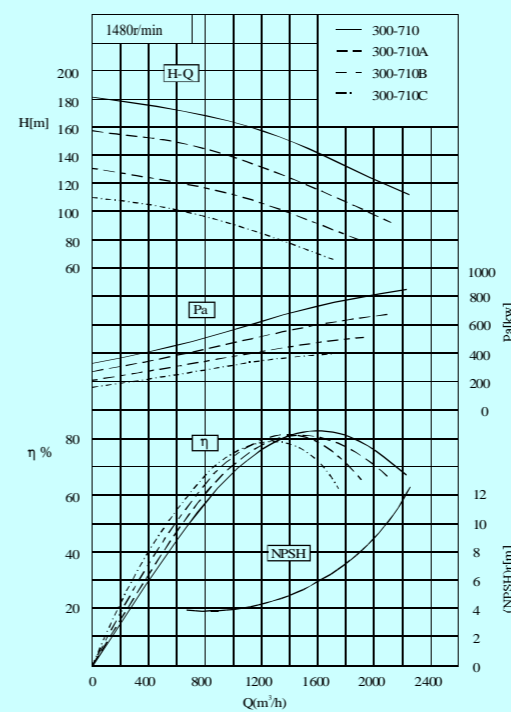
SOW型泵性能曲线图 SOW TYPE PUMP PERFORMANCE CURVE CHART



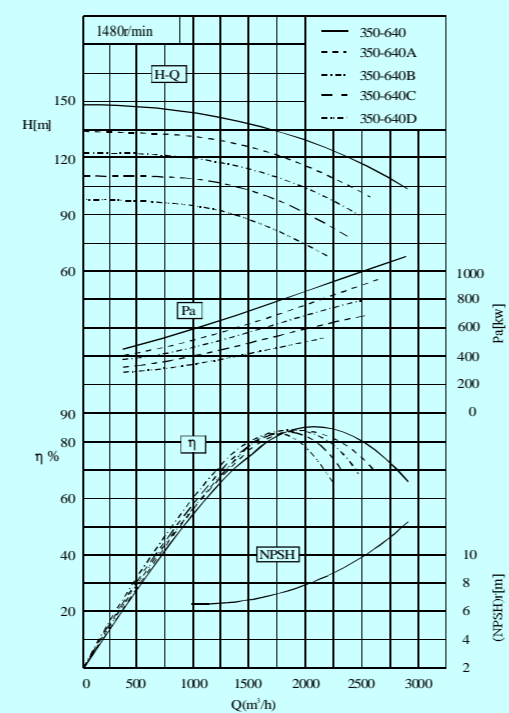
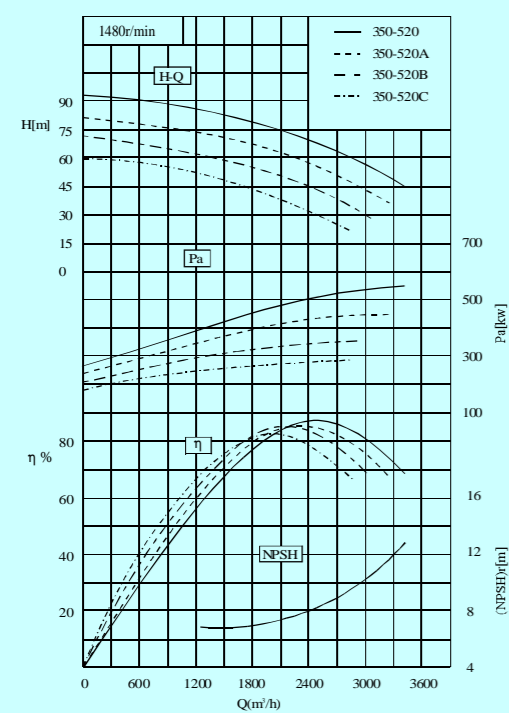
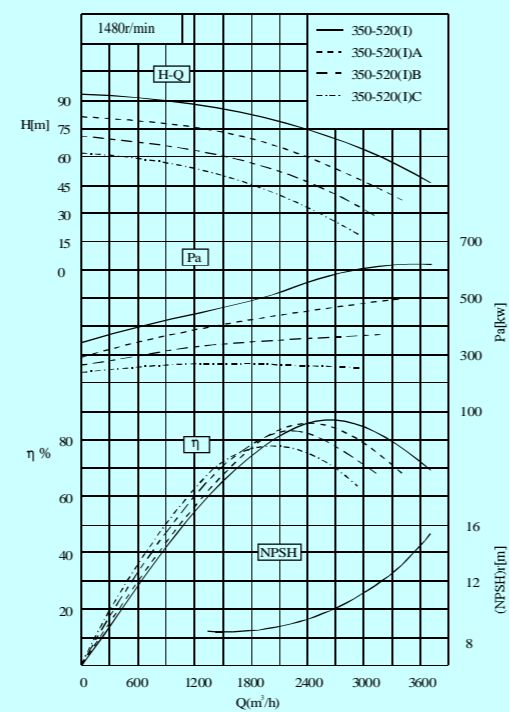
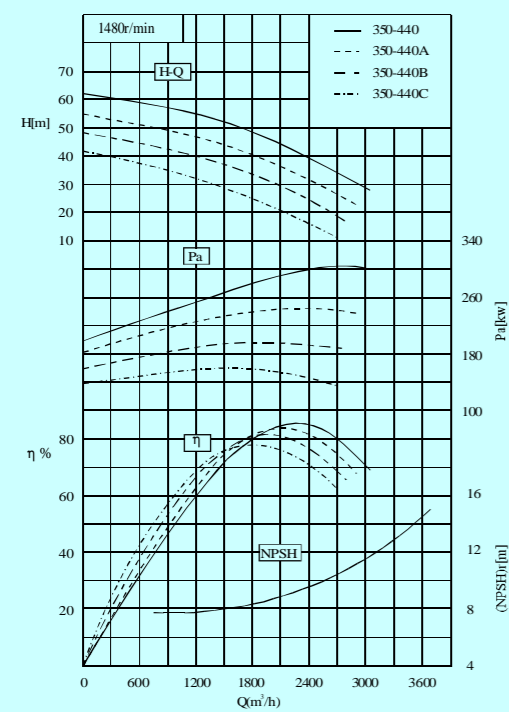
SOW型泵性能曲线图 SOW TYPE PUMP PERFORMANCE CURVE CHART



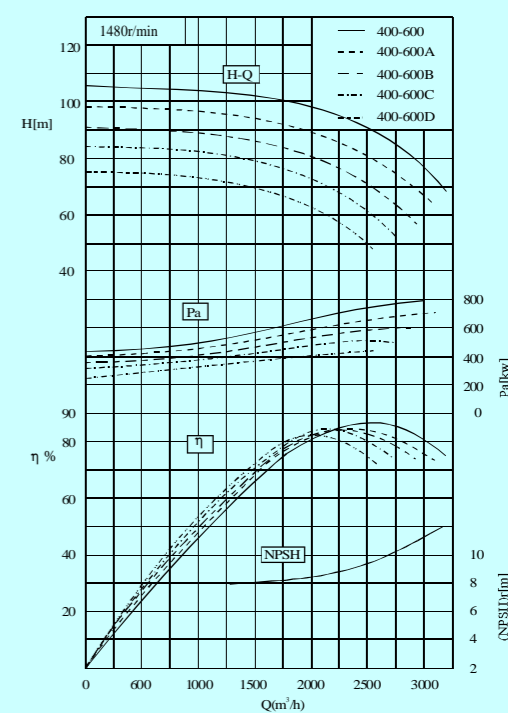
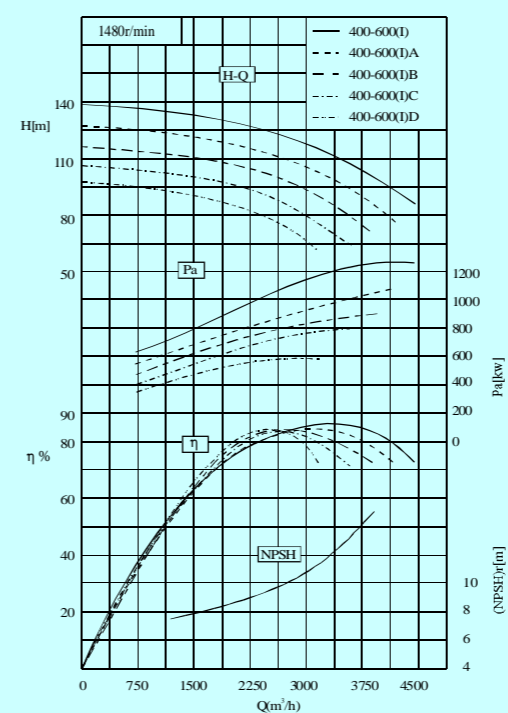
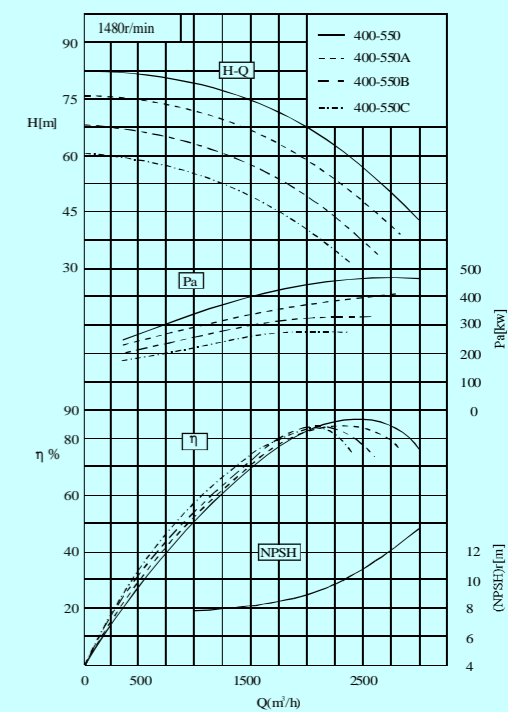
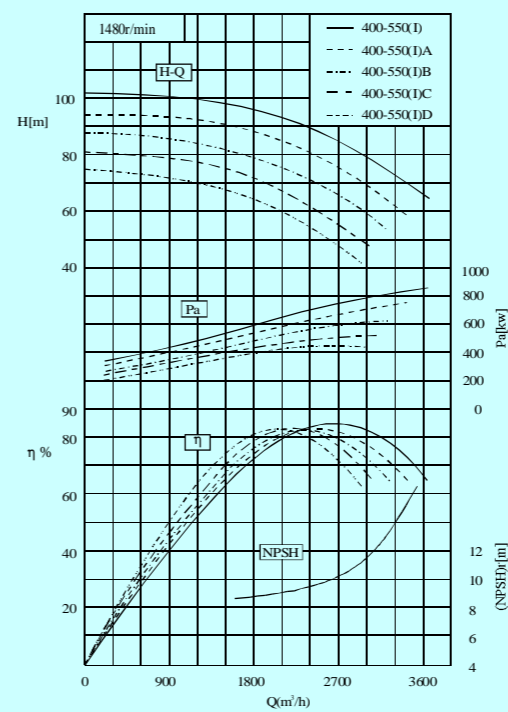
SOW型泵性能曲线图 SOW TYPE PUMP PERFORMANCE CURVE CHART



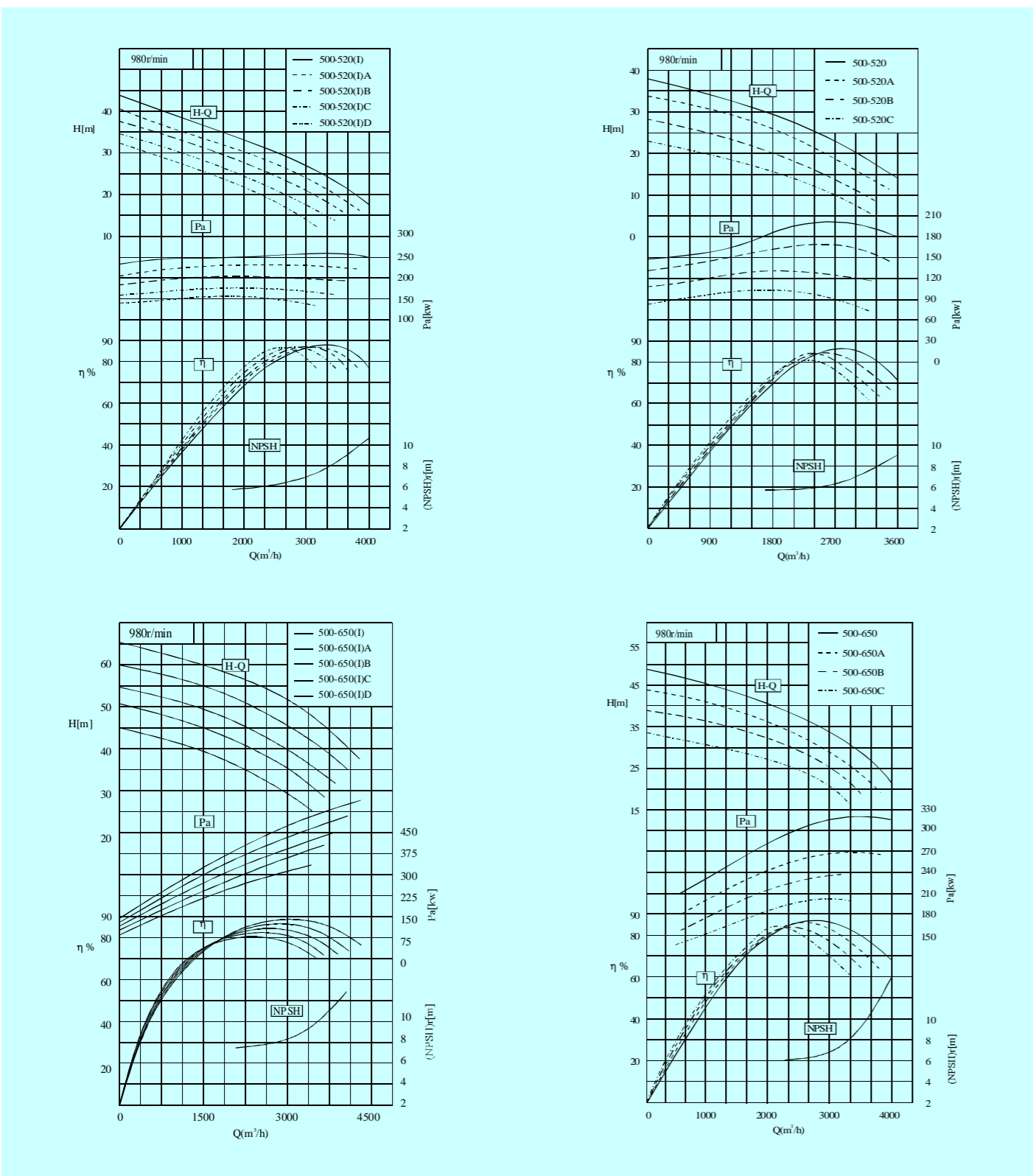
SOW型泵性能曲线图 SOW TYPE PUMP PERFORMANCE CURVE CHART



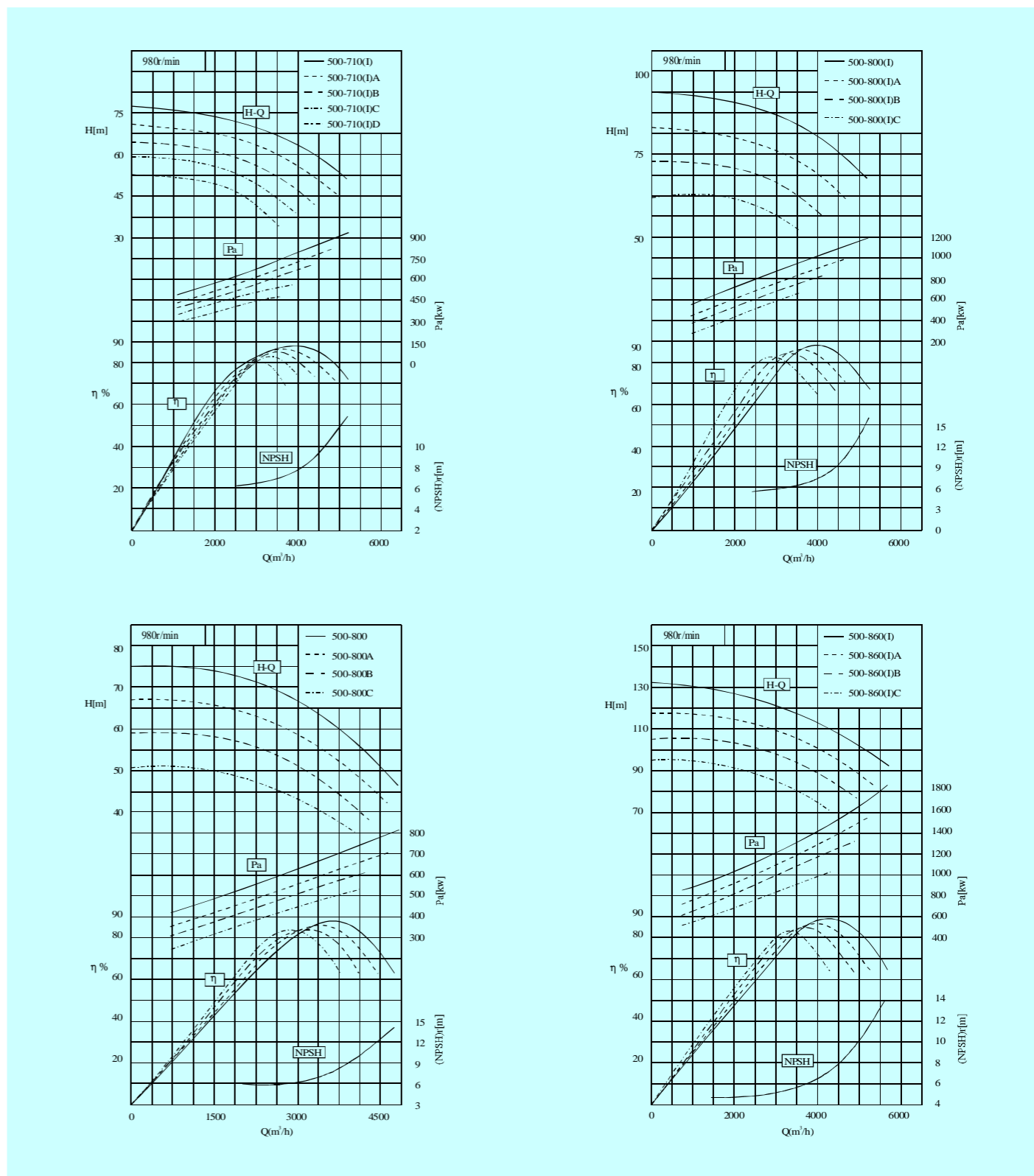
SOW型泵性能曲线图 SOW TYPE PUMP PERFORMANCE CURVE CHART



SOW型泵性能曲线图 SOW TYPE PUMP PERFORMANCE CURVE CHART

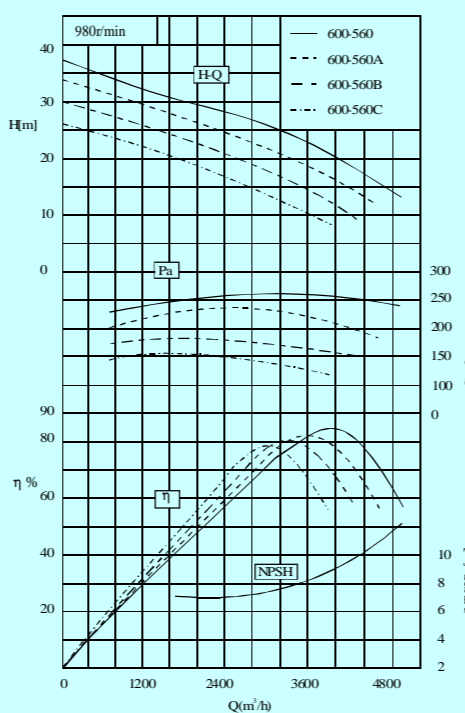
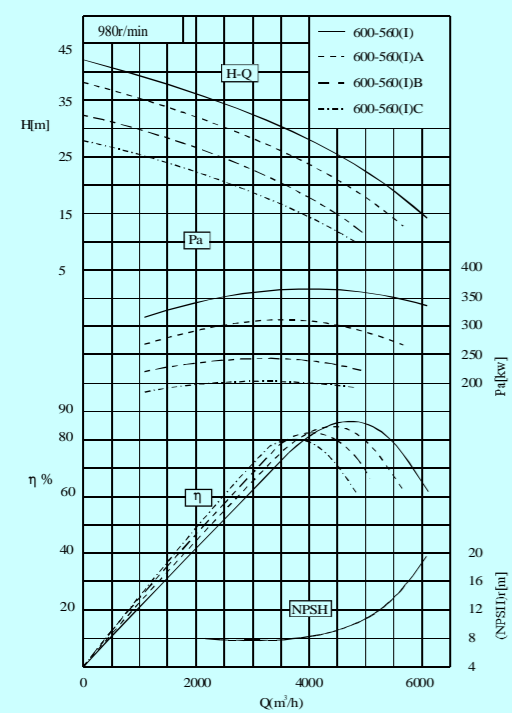
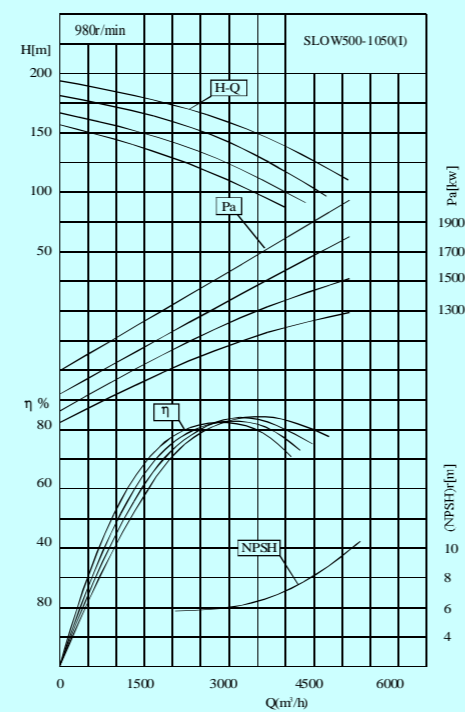
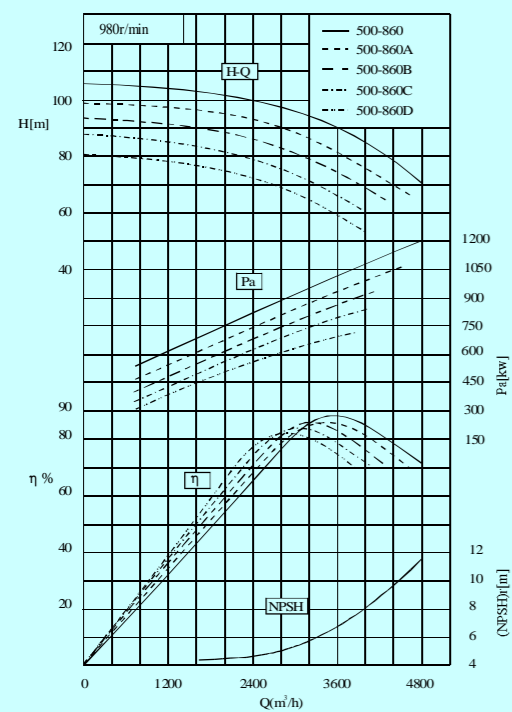


SOW型泵性能曲线图 SOW TYPE PUMP PERFORMANCE CURVE CHART

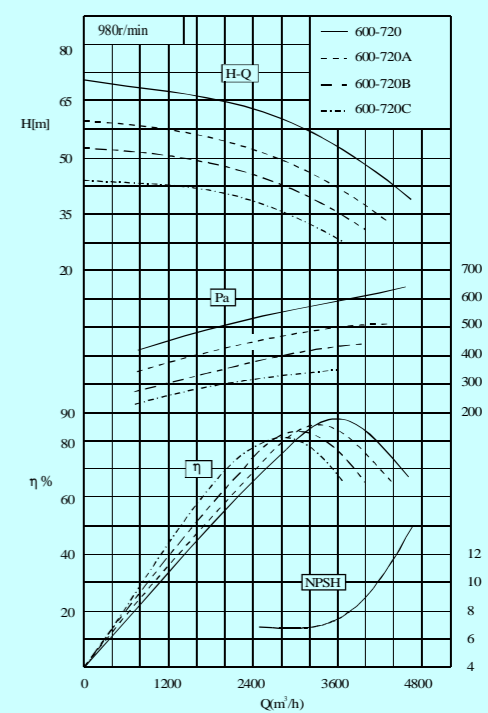
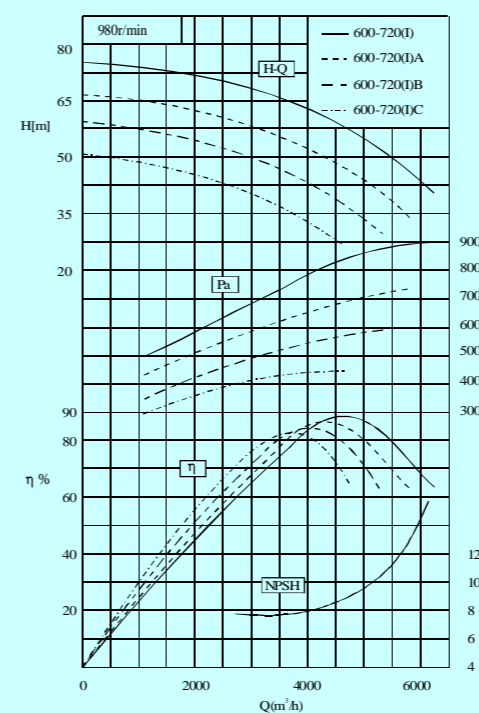
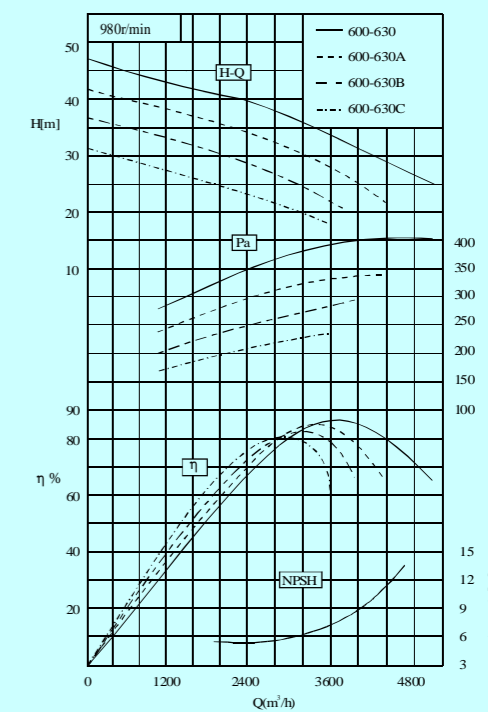
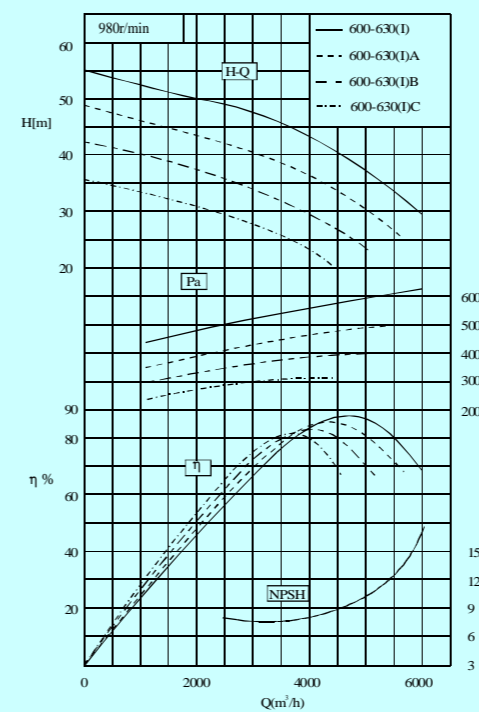




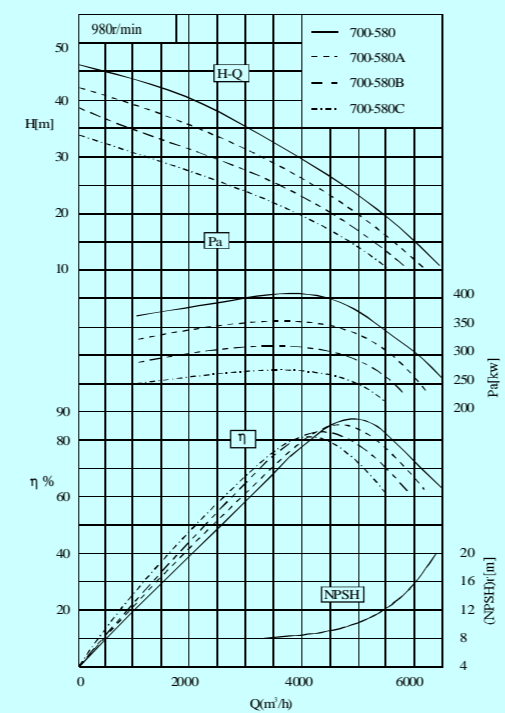
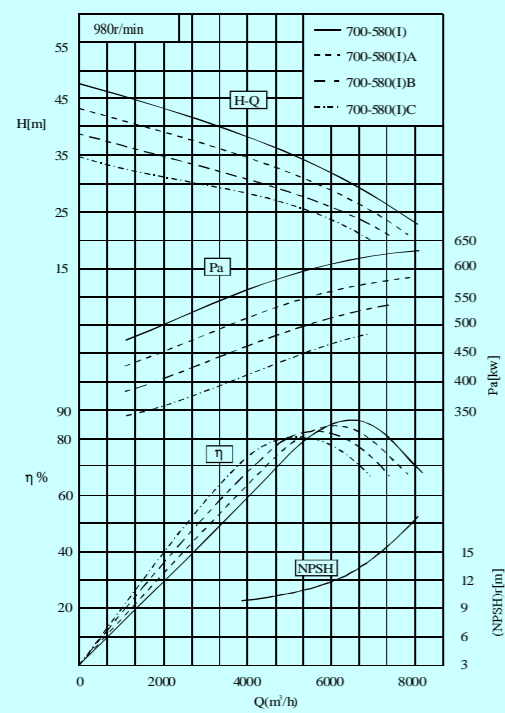
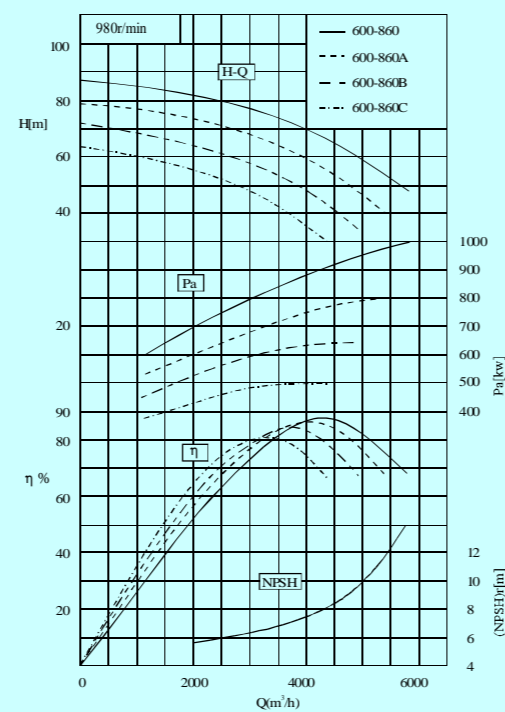
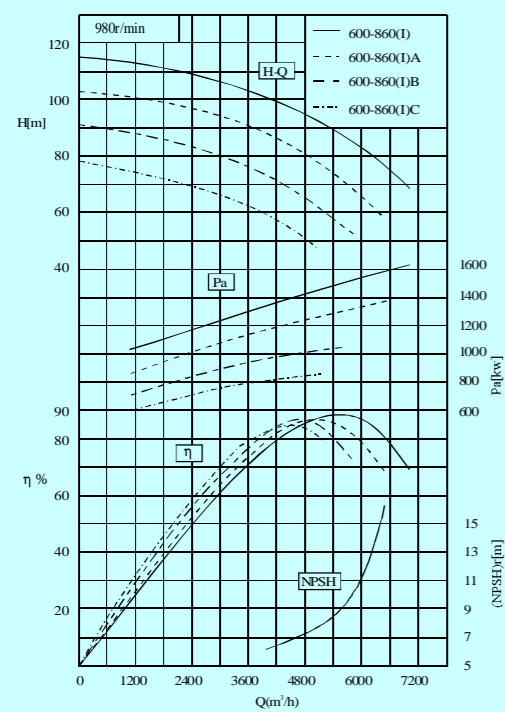
SOW型泵性能曲线图 SOW TYPE PUMP PERFORMANCE CURVE CHART



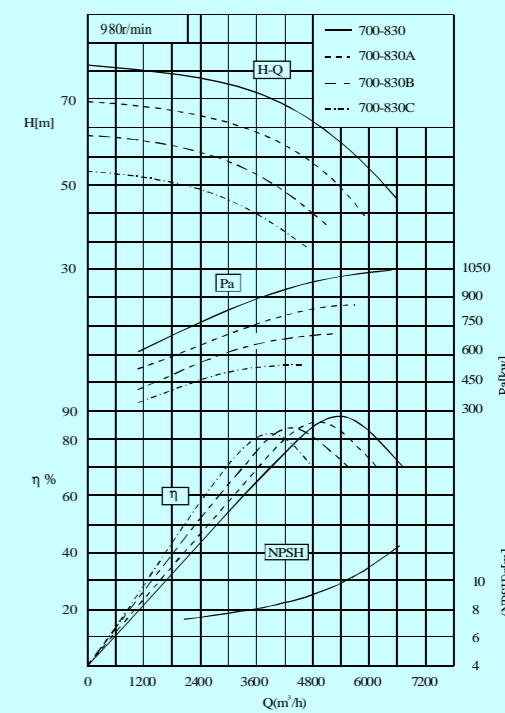
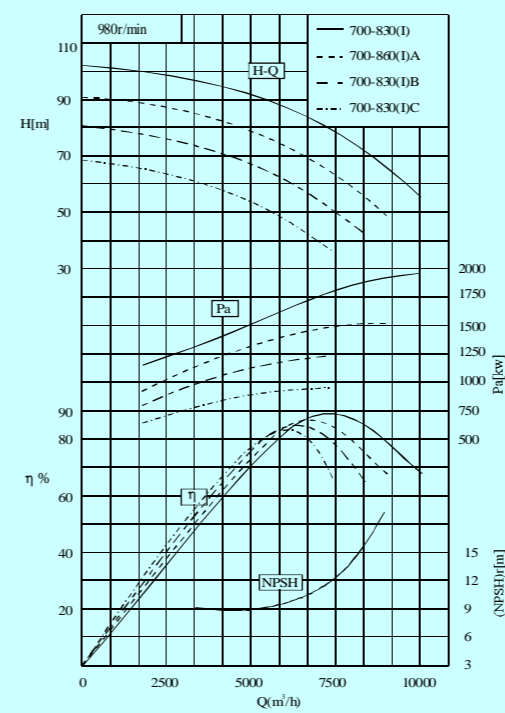
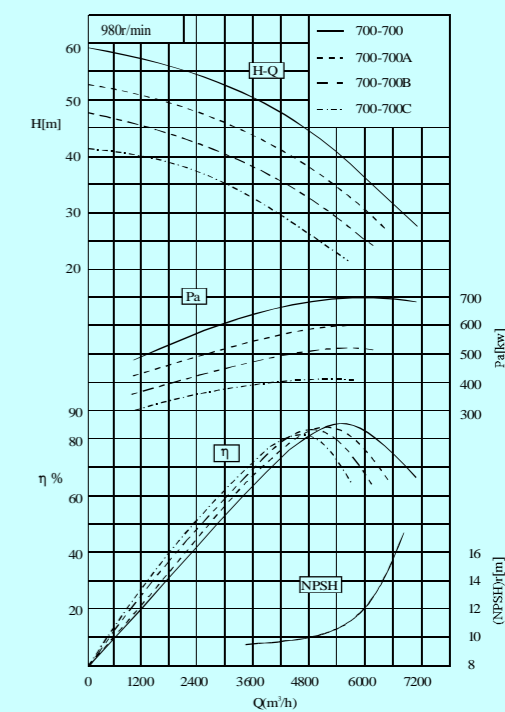
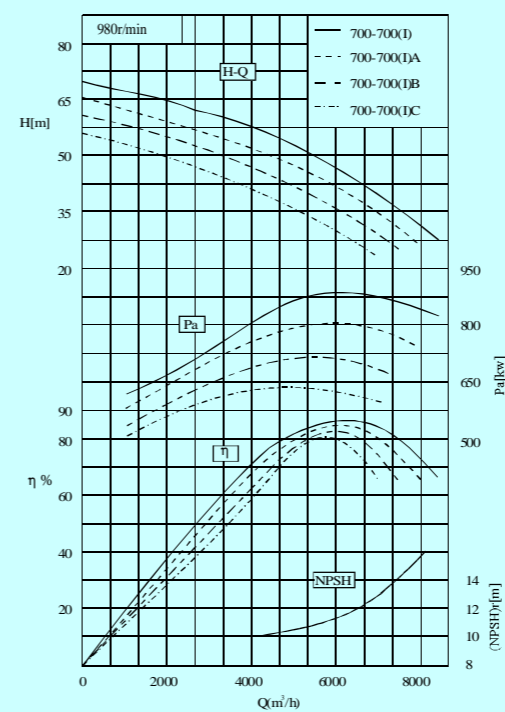
SOW型泵性能曲线图 SOW TYPE PUMP PERFORMANCE CURVE CHART



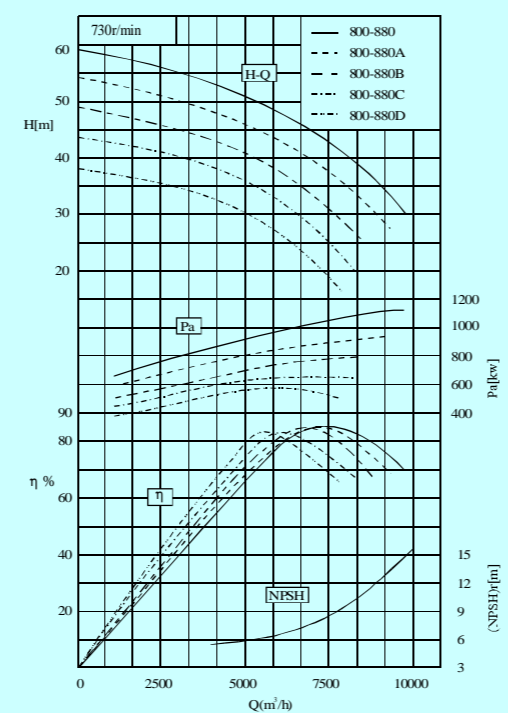
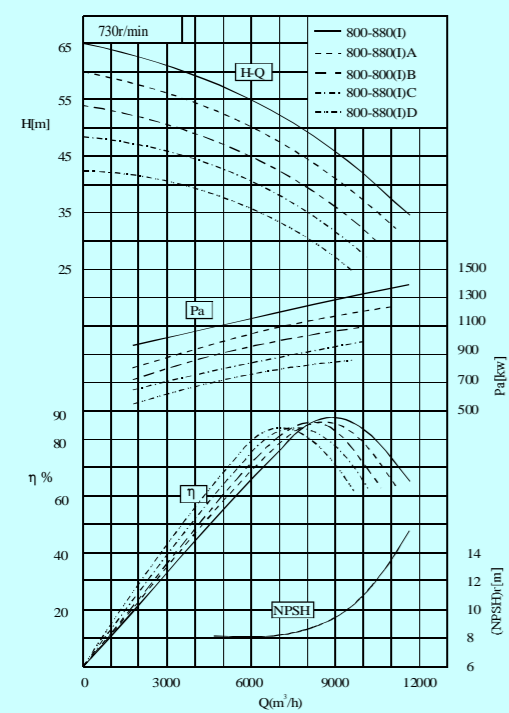
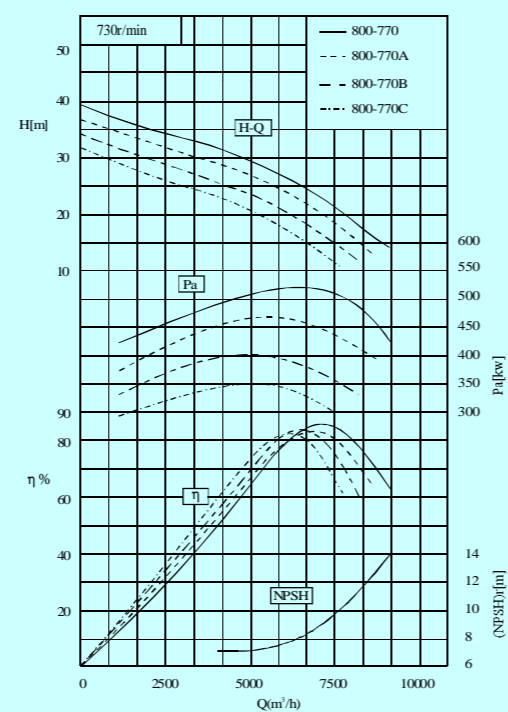
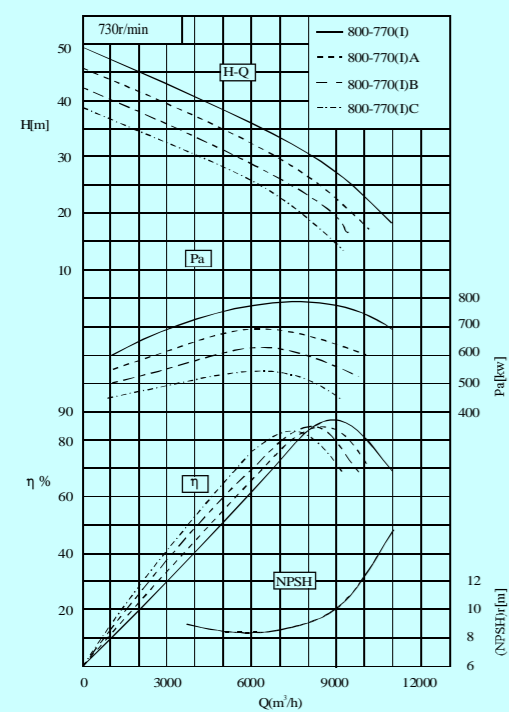
SOW型泵性能曲线图 SOW TYPE PUMP PERFORMANCE CURVE CHART



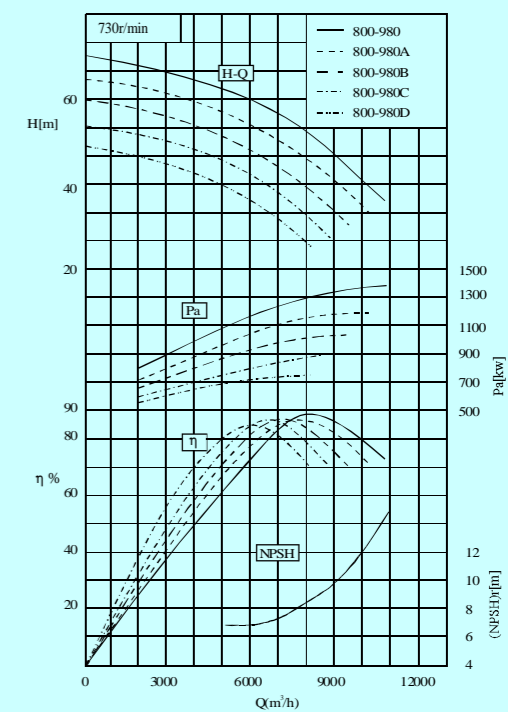
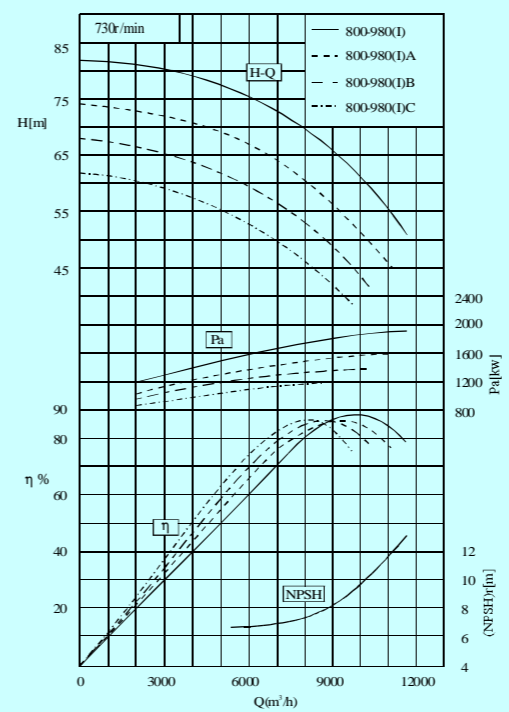
SOW型泵性能曲线图 SOW TYPE PUMP PERFORMANCE CURVE CHART



SOW型泵性能曲线图 SOW TYPE PUMP PERFORMANCE CURVE CHART

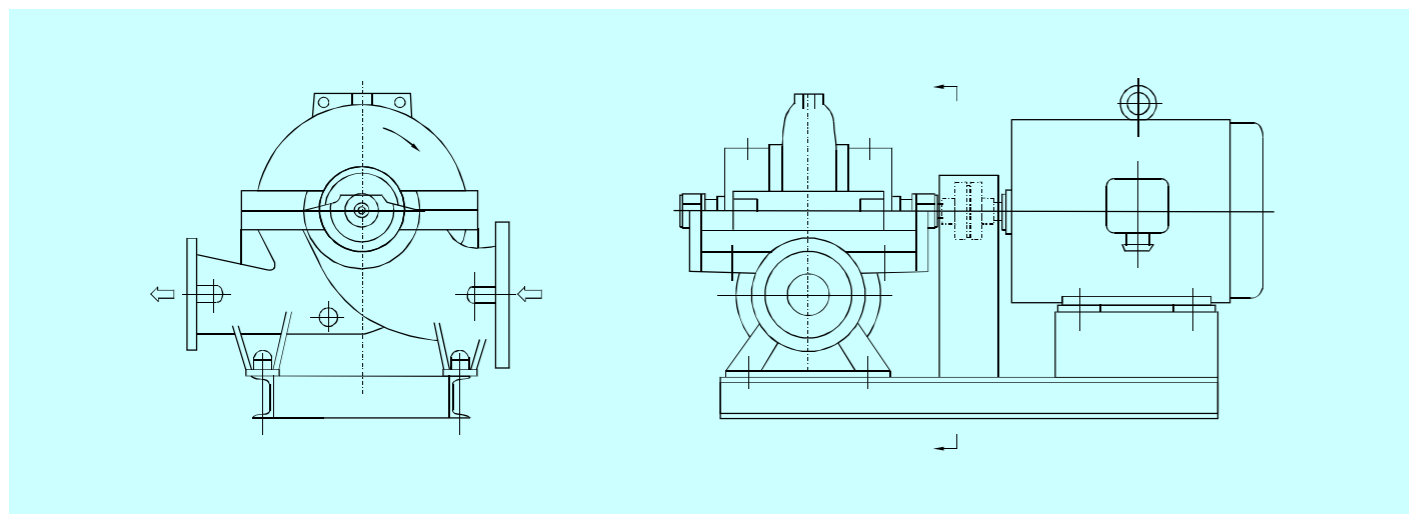


SOW型泵性能曲线图 SOW TYPE PUMP PERFORMANCE CURVE CHART



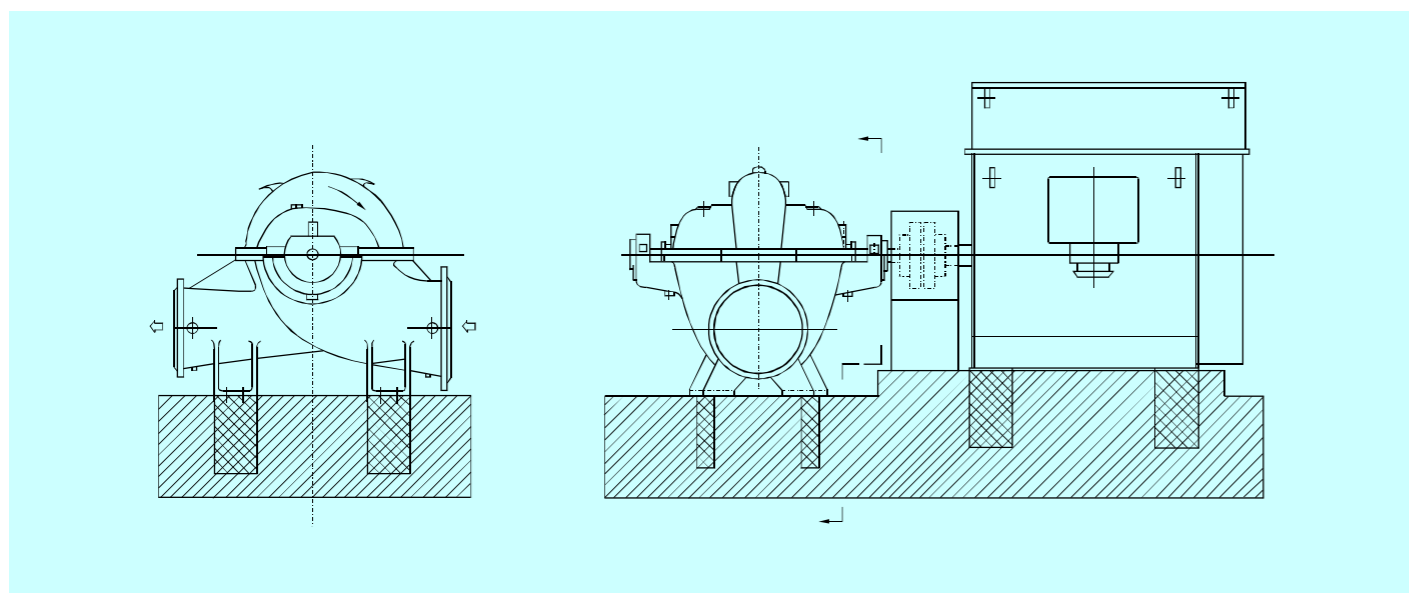
SOW型卧式泵安装形式 SOW TYPE HORIZONTAL PUMP INSTALLATION MODEL

A 80-220至350-640



泵和电机都安装在底座上  
Both pump and motor are mounted on the foundation

B 400-550至800-980

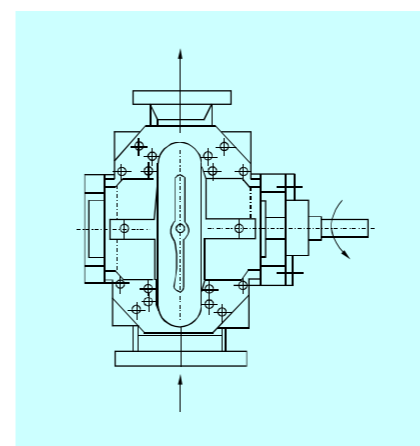


泵和电机都安装在基础上  
Both pump and motor are mounted on the basic

转向/流向 Rotating direction/flowing direction

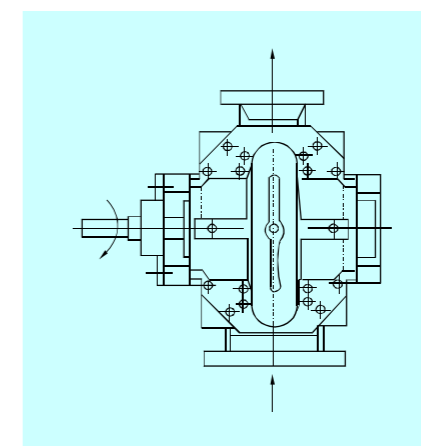
从传动端看逆时针方向旋转

It moves CCW viewing from the actuation end

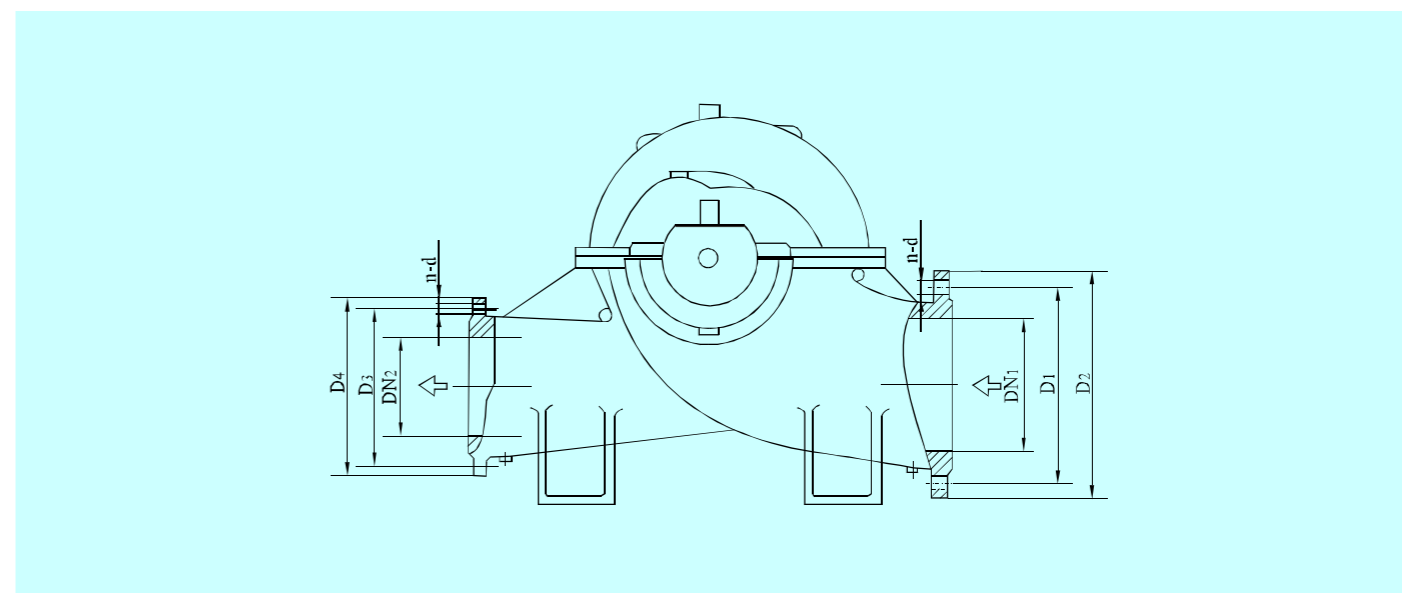


从传动端看顺时针方向旋转

It moves CW viewing from the actuation end



SOW型泵连接法兰尺寸 SOW TYPE PUMP CONJUNCTION FLANGE DIMENSION



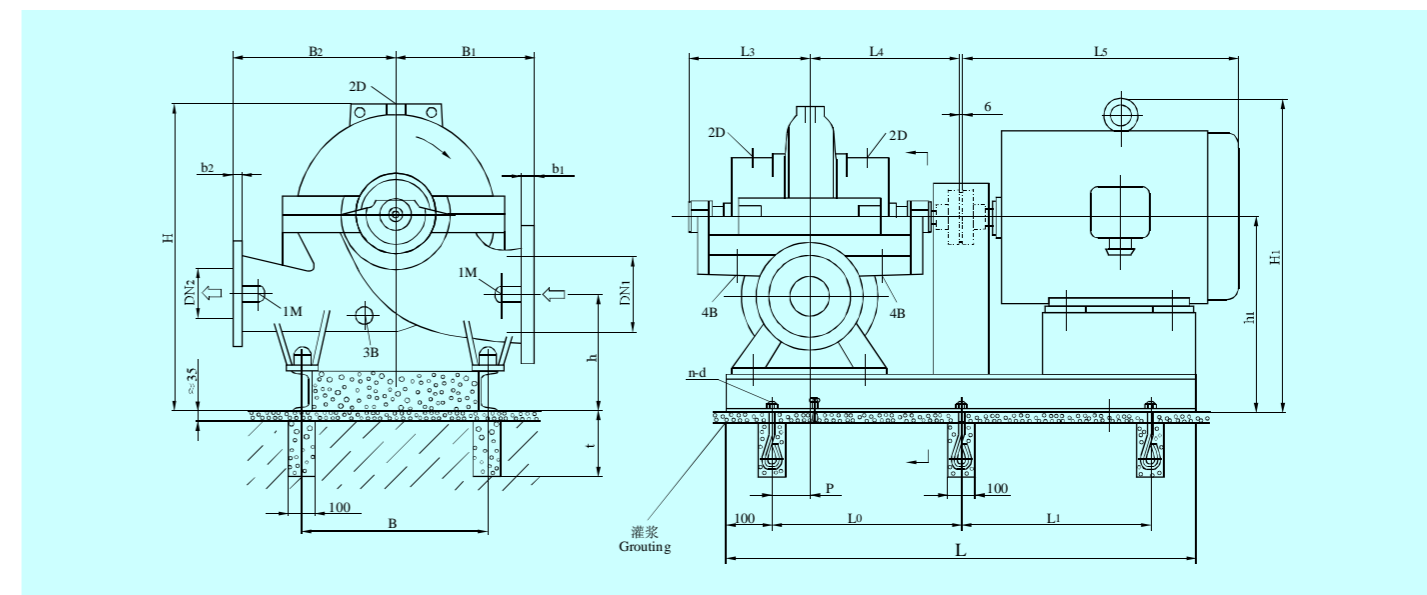
SOW型泵连接法兰尺寸 SOW TYPE PUMP CONJUNCTION FLANGE DIMENSION

泵型号 Pump type	进口口径 Inlet diameter	进口法兰尺寸 Inlet flange dimension			出口口径 Outlet diameter	出口法兰尺寸 Outlet flange dimension										
		DN <sub>1</sub>	D <sub>1</sub>	D <sub>2</sub>		n-d	DN <sub>2</sub>	D <sub>3</sub>	D <sub>4</sub>	n-d						
80-220	125	210	250	8-19	80	160	200	8-19								
80-280																
80-350																
100-260	150	240	285	8-23	100	180	220	8-19								
100-320																
100-400																
125-240																
125-300																
125-380																
125-480																
150-280	200	295	340	12-23	125	210	250	8-19								
150-350																
150-450																
150-570	250	355	405	12-28	200	295	340	12-23								
200-340																
200-410																
200-530																
200-660																
250-390	300	410	460	12-28	250	355	405	12-28								
250-470																
250-610																
300-330	400	525	580	16-31	300	410	460	12-28								
300-450																
300-550																
300-710	400	525	580	16-31	350	470	520	16-28								
350-380																
350-440																
350-520																
350-640																
400-550	500	650	715	20-34	400	525	580	16-31								
400-600																
500-520																
500-650																
500-710																
500-800	600	770	840	20-37	500	650	715	20-34								
500-1050																
600-560																
600-720																
600-860																
700-580	700	840	910	24-37	600	770	840	20-37								
700-700																
700-830																
800-770	800	950	1025	24-40	700	840	910	24-37								
800-880																
800-980																
800-770									900	1050	1125	28-40	800	950	1025	24-40
800-880																
800-980																
800-770																
800-880																

SOW型泵安装尺寸 SOW TYPE PUMP INSTALLATION DIMENSION

80-220至80-350(见结构图1)安装尺寸(See structural drawing 1)

转向: 顺时针 Rotating direction: CW



连接螺纹尺寸 Connecting thread size

1M	压力表 piexometer	R1/2
2D	排气孔 exhaust hole	R1/2
3B	排水孔 drainage hole	R1/2
4B	漏液排出孔 drainage hole for leaked liquid	R3/4

主要外形尺寸 External dimension

泵型号 Pump type	法兰尺寸 Flange dimension(mm)				泵尺寸 Pump dimension(mm)					重量 Weight(kg)	
	DN <sub>1</sub>	DN <sub>2</sub>	b <sub>1</sub>	b <sub>2</sub>	B <sub>1</sub>	B <sub>2</sub>	L <sub>4</sub>	H≤	L <sub>3</sub>	泵 Pump	含水量 Water content
80-220	125	80	26	24	300	300	415	600	300	181	10
80-280					194	15					
80-350					204	20					

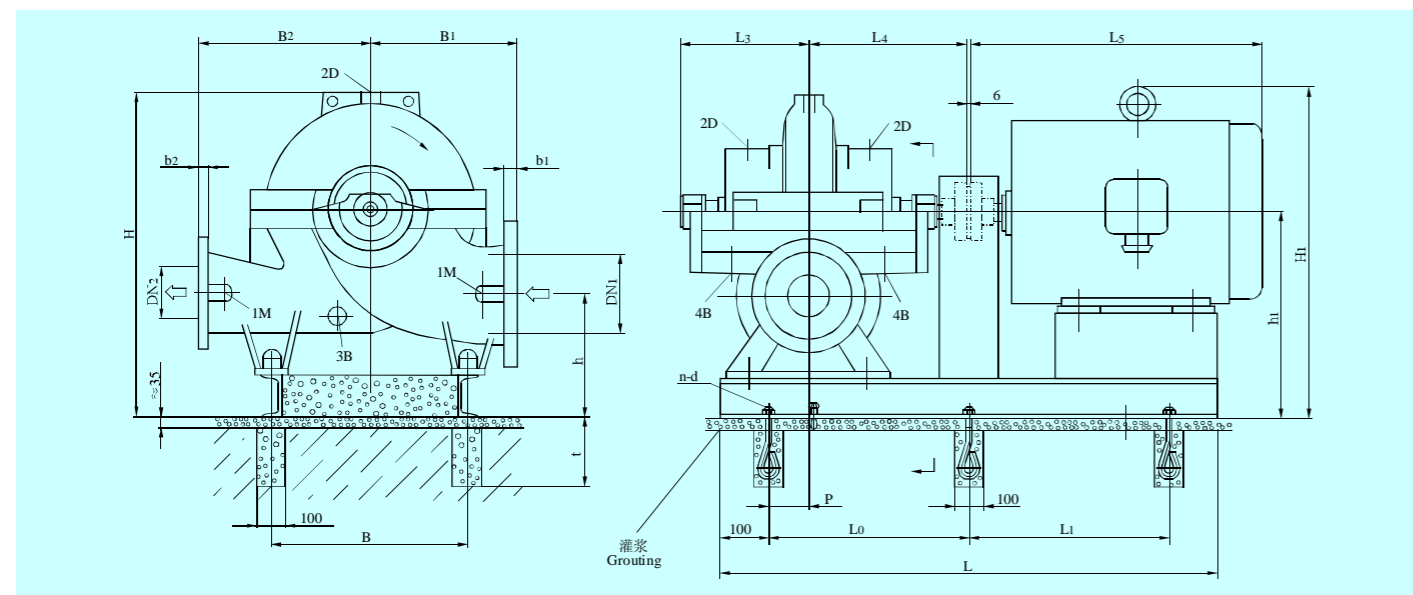
电机尺寸- Y型电机 Motor dimension- Y type motor

电机极数 Motor pole	泵型号 Pump type	电机型号 Motor type	电机功率 Motor power (kw)	B	h	h <sub>1</sub>	H <sub>1</sub>	L	L <sub>0</sub>	L <sub>1</sub>	t	P	L <sub>5</sub>	n-d	电机重量 Motor weight (kg)	底座参考重量 Foundation refer- ence weight (kg)		
4极(pole)	80-220	100L	2.2-3	340	295	435	580	880	340	350	70	380	6-M16 × 300	39	70			
		112M	4				588	890	345					400				
		132S	5.5				618	930	365					475				
		132M	7.5				618	970	385					515				
		160M	11				660	1050	425					605				
		160L	15				660	1100	450					650				
	80-280	80-350	180M	18.5	340	295	435	660	1150	475	350	70	650	6-M16 × 300	180	110		
			180L	22				660	1150	475					710		200	
			160L	18.5				660	1100	450					650		150	70
			180M	22				685	1110	455					670		182	70
			200L	30-37				710	1190	495					775		255	100
			225M	45				765	1230	515					815		308	100
2极(pole)	80-280	250M	55	320	460	460	785	1320	560	350	85	1000	6-M16 × 300	403	110			
		280S	75				820	1390	595					544		140		

SOW型泵安装尺寸 SOW TYPE PUMP INSTALLATION DIMENSION

100-260至100-400(见结构图1)安装尺寸(See structural drawing 1)

转向: 顺时针 Rotating direction: CW



连接螺纹尺寸 Connecting thread size

1M	压力表 piexometer	R1/2
2D	排气孔 exhaust hole	R1/2
3B	排水孔 drainage hole	R1/2
4B	漏液排出孔 drainage hole for leaked liquid	R3/4

主要外形尺寸 External dimension

泵型号 Pump type	法兰尺寸 Flange dimension(mm)				泵尺寸 Pump dimension(mm)					重量 Weight(kg)	
	DN <sub>1</sub>	DN <sub>2</sub>	b <sub>1</sub>	b <sub>2</sub>	B <sub>1</sub>	B <sub>2</sub>	L <sub>4</sub>	H <sub>≤</sub>	L <sub>3</sub>	泵 Pump	含水量 Water content
100-260	150	100	28	24	330	330	415	760	300	207	20
100-320					223	25					
100-400					241	30					

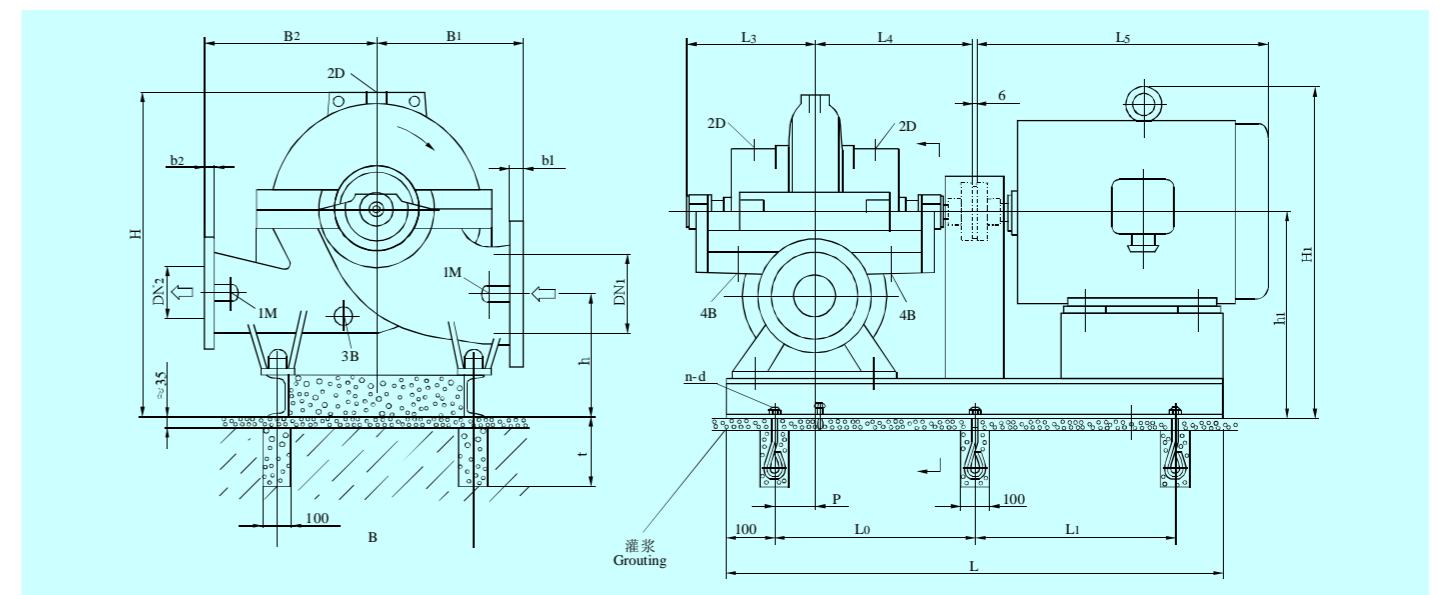
电机尺寸- Y型电机 Motor dimension- Y type motor

电机极数 Motor pole	泵型号 Pump type	电机型号 Motor type	电机功率 Motor power (kw)	B	h	h <sub>1</sub>	H <sub>1</sub>	L	L <sub>0</sub>	L <sub>1</sub>	t	P	L <sub>5</sub>	n-d	电机重量 Motor weight (kg)	底座参考重量 Foundation reference weight (kg)		
4极(pole)	100-260	132S	5.5	400	305	475	658	930	365	350	70	70	475	6-M16×300	72	80		
		132M	7.5					970	385						515			
		160M	11					1060	430						605			
		160L	15					1100	450						650			
		180M	18.5					1100	450						650			
		180L	22					1140	470						710			
	100-320	200L	30	750	1190	495	775	710	200	270	775	284	190					
		225S	37	1220	510	820	780	284	320	845	190							
		225M	45	1240	520	845	780	284	320	845	190							
		225S	37	1240	520	845	780	284	320	845	190							
2极(pole)	100-260	200L	37	400	305	475	750	1190	495	350	70	70	475	6-M16×300	255	100		
		225M	45					780	1210						505		815	308
		250M	55					825	1320						560		930	403
		280S	75					860	1390						595		1000	544
		280M	90					1440	620						1050		620	544
		315S	110					1480	640						1240		980	620
	100-320	315M	132	1530	665	1310	1080	620	1080	190								
		315L	160-200	1560	680	1220	1220	190										

SOW型泵安装尺寸 SOW TYPE PUMP INSTALLATION DIMENSION

125-240至125-480(见结构图1)安装尺寸(See structural drawing 1)

转向: 顺时针 Rotating direction: CW



连接螺纹尺寸 Connecting thread size

1M	压力表 piexometer	R1/2
2D	排气孔 exhaust hole	R1/2
3B	排水孔 drainage hole	R1/2
4B	漏液排出孔 drainage hole for leaked liquid	R3/4

主要外形尺寸 External dimension

泵型号 Pump type	法兰尺寸 Flange dimension(mm)				泵尺寸 Pump dimension(mm)					重量 Weight(kg)	
	DN <sub>1</sub>	DN <sub>2</sub>	b <sub>1</sub>	b <sub>2</sub>	B <sub>1</sub>	B <sub>2</sub>	L <sub>4</sub>	H <sub>≤</sub>	L <sub>3</sub>	泵 Pump	含水量 Water content
125-240	200	125	30	26	370	370	515	825	366	310	35
125-300										350	40
125-380										370	45
125-480										500	55

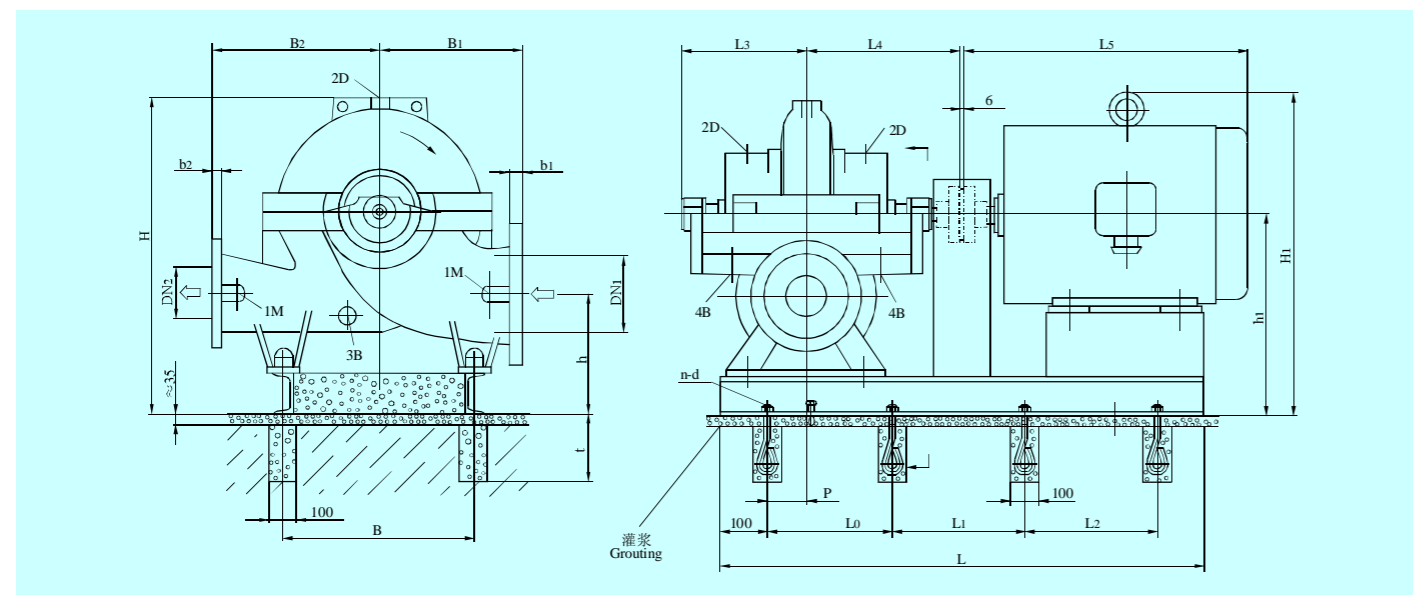
电机尺寸- Y型电机 Motor dimension- Y type motor

电机极数 Motor pole	泵型号 Pump type	电机型号 Motor type	电机功率 Motor power (kw)	B	h	h <sub>1</sub>	H <sub>1</sub>	L	L <sub>0</sub>	L <sub>1</sub>	t	P	L <sub>5</sub>	n-d	电机重量 Motor weight (kg)	底座参考重量 Foundation reference weight (kg)	
4极(pole)	125-240	132M	7.5	450	320	520	703	1100	450	350	105	105	515	6-M16×300	84	80	
		160M	11					745	1190						495		605
		160L	15					1240	520						650		
		180M	18.5					770	1240						520		670
		180L	22					770	1280						540		710
		200L	30					795	1320						560		775
	125-300 (h <sub>1</sub> 均为565)	225S	37	870	1350	575	820	1380	590	845	284	190					
		225M	45	890	1380	590	845	1440	620	930	320	190					
		250M	55	890	1440	620	930	1440	620	930	320	190					
		280S	75	950	1520	660	1000	1520	660	1000	320	190					
125-480	225S	37	870	1350	575	820	1380	590	845	284	190						
	225M	45	890	1380	590	845	1440	620	930	320	190						
	250M	55	890	1440	620	930	1440	620	930	320	190						
	280S	75	925	1510	655	1000	1510	655	1000	320	190						
	280M	90	925	1560	680	1050	1560	680	1050	320	190						
	315S	110	1115	1630	715	1270	1630	715	1270	320	190						
2极(pole)	125-300	280S	75	457	345	545	905	1520	660	350	105	105	1000	6-M16×300	544	140	
		280M	90					1580	690						1050		
		315S	110					1620	710						1050		
	125-240	315M	132	1095	1670	735	1310	1670	735	1310	980	190					
		315L	160-200	1700	750	1200	1200	190									

SOW型泵安装尺寸 SOW TYPE PUMP INSTALLATION DIMENSION

150-280至150-570(见结构图1)安装尺寸(See structural drawing 1)

转向: 顺时针 Rotating direction: CW



连接螺纹尺寸 Connecting thread size

1M	压力表 piexometer	R1/2
2D	排气孔 exhaust hole	R1/2
3B	排水孔 drainage hole	R1/2
4B	漏液排出孔 drainage hole for leaked liquid	R3/4

主要外形尺寸 External dimension

泵型号 Pump type	法兰尺寸 Flange dimension(mm)				泵尺寸 Pump dimension(mm)					重量 Weight(kg)	
	DN1	DN2	b1	b2	B1	B2	L4	H≤	L3	泵 Pump	含水量 Water content
150-280	200	150	30	28	400	400	515	1050	366	347	50
150-350					410	60					
150-450					450	450	520	75			
150-570					600	500	590	1050	399	740	90

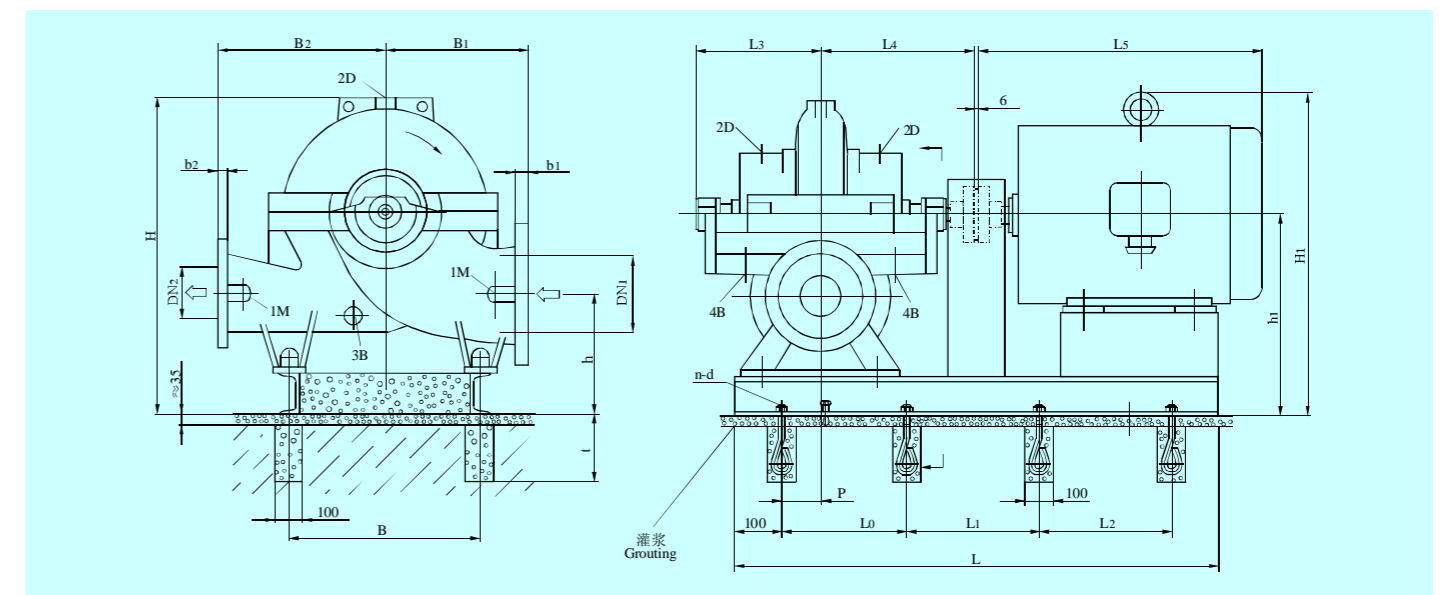
电机尺寸- Y型电机 Motor dimension- Y type motor

电机极数 Motor pole	泵型号 Pump type	电机型号 Motor type	电机功率 Motor power (kw)	B	h	h1	H1	L	L0	L1	L2	t	P	L5	n-d	电机重量 Motor weight (kg)	底座参考重量 Foundation refer- ence weight (kg)
4极(pole)	150-280	180M	18.5	450	320	520	700	1240	520	-	350	105	670	6-M16 × 300	180	110	
		180L	22				1280	540	200								
		200L	30				1320	560	270								
		225S	37				1350	575	820						284		
		225M	45				1380	590	845						320		
		250M	55				1440	620	930						427		
		280S	75				1520	660	1000						562		250
4极(pole)	150-450	225M	45	560	320	565	870	1500	650	-	350	150	845	6-M16 × 300	320	250	
		250M	55				990	1560	680				930	427	190		
		280S	75				1630	715	925				1630	715	1000		562
		280M	90				1680	740	1050				667	250			
		315S	110				1750	775	1115				1750	775	1000		
		315M	132				1800	800	1270				1340	1100			
		315S	110				1750	775	1270				1340	1100			
4极(pole)	150-570	315M	132	700	380	680	1230	1800	800	-	450	150	1340	6-M20 × 400	1100	410	
		315L	160-200				1830	815	1340				1240				
		355(6KV)	250				1105	2360	720				720	1820	8-M20 × 400		2160

SOW型泵安装尺寸 SOW TYPE PUMP INSTALLATION DIMENSION

200-340至200-660(见结构图1)安装尺寸(See structural drawing 1)

转向: 顺时针 Rotating direction: CW



连接螺纹尺寸 Connecting thread size

1M	压力表 piexometer	R1/2
2D	排气孔 exhaust hole	R1/2
3B	排水孔 drainage hole	R1/2
4B	漏液排出孔 drainage hole for leaked liquid	R3/4

主要外形尺寸 External dimension

泵型号 Pump type	法兰尺寸 Flange dimension(mm)				泵尺寸 Pump dimension(mm)					重量 Weight(kg)	
	DN1	DN2	b1	b2	B1	B2	L4	H≤	L3	泵 Pump	含水量 Water content
200-340	250	200	32	30	450	450	590	1240	399	590	80
200-410					500	500				620	95
200-530					600	600				840	115
200-660					650	550				655	464

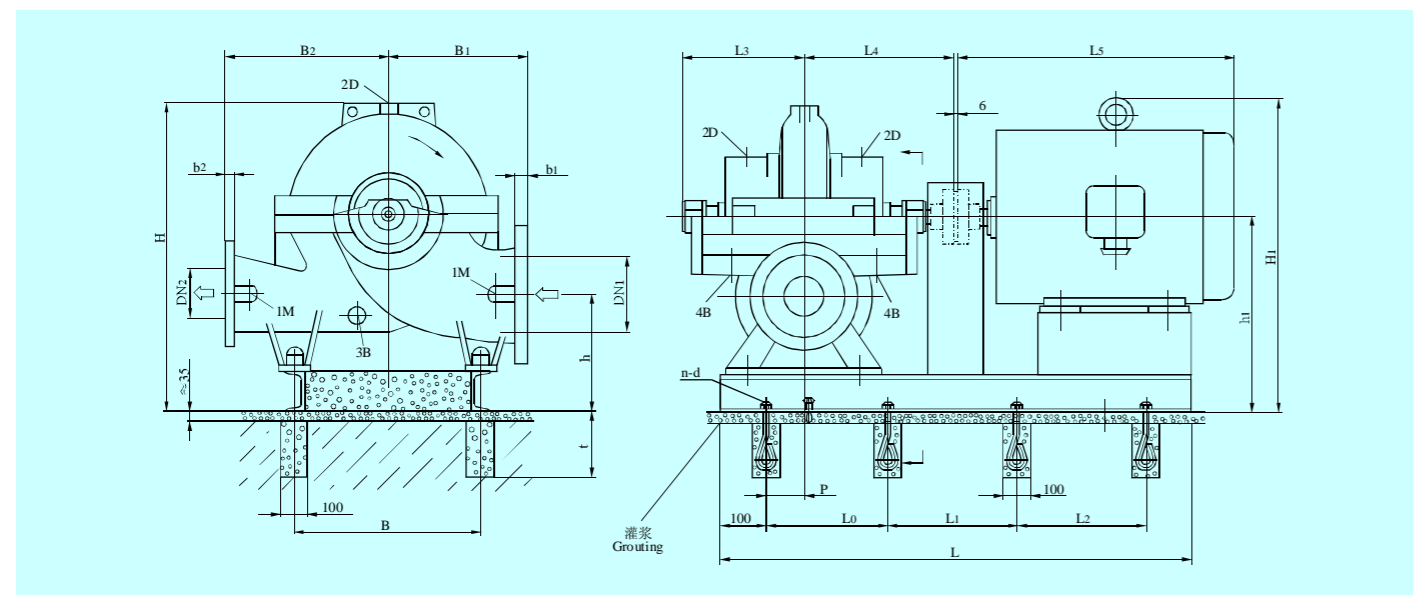
电机尺寸- Y型电机 Motor dimension- Y type motor

电机极数 Motor pole	泵型号 Pump type	电机型号 Motor type	电机功率 Motor power (kw)	B	h	h1	H1	L	L0	L1	L2	t	P	L5	n-d	电机重量 Motor weight (kg)	底座参考重量 Foundation refer- ence weight (kg)
4极(pole)	200-340	225S	37	560	420	660	925	1470	635	-	350	150	820	6-M16 × 300	284	250	
		225M	45				1500	650	845				320				
		250M	55				1560	680	930				427				
		280S	75				1630	715	1000				562				
		280M	90				1680	740	1050				667				
		315S	110				1750	775	1270				1000				
		315M	132				1800	800	1340				1100				
		315S	110				1810	805	1270				1000				
		315M	132				1860	830	1340				1100				
		315L	160-200				1890	845	1340				1240				
4极(pole)	200-530	315L	160-200	700	440	740	1290	1860	830	-	450	150	1340	6-M20 × 400	1100	410	
		355(6KV)	250				1890	845	1340				1240				
		355(6KV)	280				1165	2450	750				750	1820	8-M20 × 400		1840

SOW型泵安装尺寸 SOW TYPE PUMP INSTALLATION DIMENSION

250-390至250-610(见结构图1 See structural drawing 1)

转向: 顺时针 Rotating direction: CW



连接螺纹尺寸 Connecting thread size

1M	压力表 piexometer	R1/2
2D	排气孔 exhaust hole	R1/2
3B	排水孔 drainage hole	R1/2
4B	漏液排出孔 drainage hole for leaked liquid	R3/4

主要外形尺寸 External dimension

泵型号 Pump type	法兰尺寸 Flange dimension(mm)				泵尺寸 Pump dimension(mm)					重量 Weight(kg)	
	DN <sub>1</sub>	DN <sub>2</sub>	b <sub>1</sub>	b <sub>2</sub>	B <sub>1</sub>	B <sub>2</sub>	L <sub>4</sub>	H≤	L <sub>3</sub>	泵 Pump	含水量 Water content
250-390	300	250	36	32	500	500	655	1275	464	810	125
250-470					550	550	730		515	930	145
250-610					650	550	730		515	1400	180

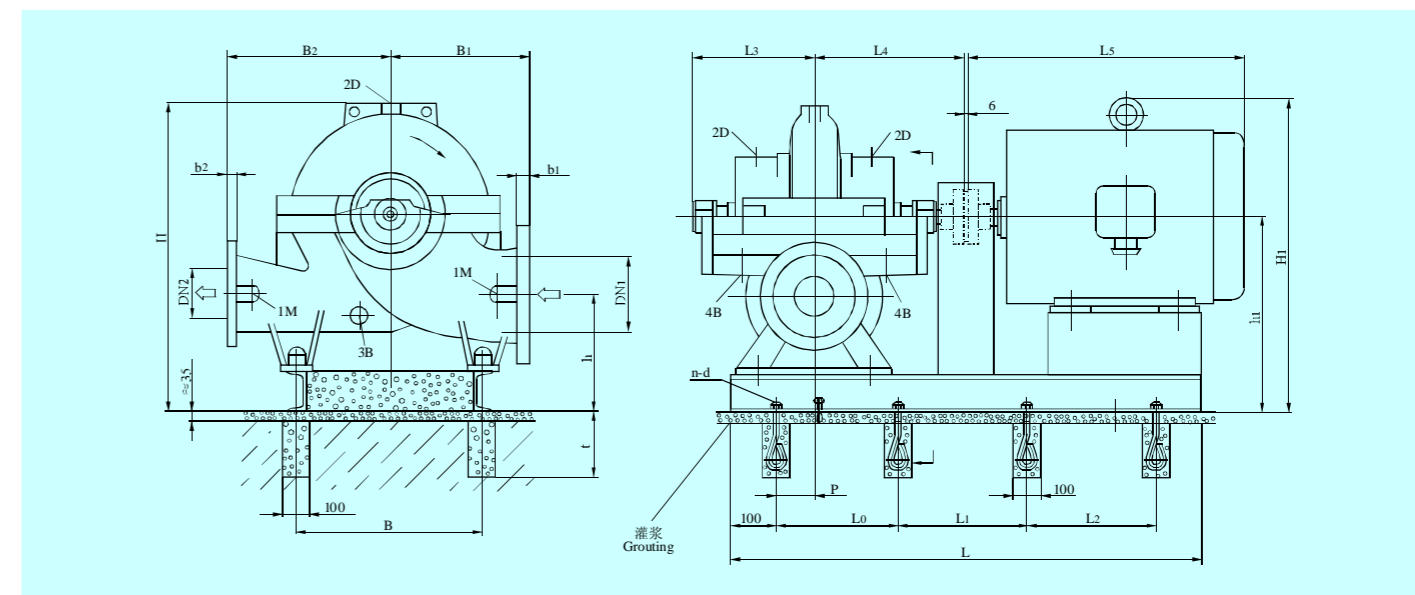
电机尺寸- Y型电机 Motor dimension- Y type motor

电机极数 Motor pole	泵型号 Pump type	电机型号 Motor type	电机功率 Motor power (kw)	B	h	h <sub>1</sub>	H <sub>1</sub>	L	L <sub>0</sub>	L <sub>1</sub>	L <sub>2</sub>	t	P	L <sub>5</sub>	n-d	电机重量 Motor weight (kg)	底座参考重量 Foundation reference weight (kg)				
4极(pole)	250-390	280S	75	700	480	780	1140	1690	745	-	450	150	1000	6-M20×400	562	250					
		280M	90					1750	775						667						
		315S	110					1810	805						1000						
		315M	132					1860	830						1100						
		315L	160					1890	845						1240						
4极(pole)	250-470	315S	110	700	500	800	1350	1950	875	-	450	210	1270	6-M20×400	1000	410					
		315M	132					2000	900						1100						
		315L	160-200					2030	915						1240						
		355(6KV)	200-280					1225	2570						790		790	1620	8-M20×400	2160	440
4极(pole)	250-610	315L	200	700	480	830	1380	2030	915	-	450	210	1340	8-M24×400	1240	410					
		355(6KV)	250-315					1255	2570						790		790	1820	8-M24×400	2160	440
		400(6KV)	400-560					1295	2720						840		840	1940	8-M24×400	2620	480

SOW型泵安装尺寸 SOW TYPE PUMP INSTALLATION DIMENSION

300-330至300-550(见结构图1 see structural drawing 1)、300-710(见结构图2 See structural drawing 2)

转向: 顺时针 Rotating direction: CW



连接螺纹尺寸 Connecting thread size

1M	压力表 piexometer	R1/2
2D	排气孔 exhaust hole	R1/2
3B	排水孔 drainage hole	R1/2
4B	漏液排出孔 drainage hole for leaked liquid	R3/4

主要外形尺寸 External dimension

泵型号 Pump type	法兰尺寸 Flange dimension(mm)				泵尺寸 Pump dimension(mm)					重量 Weight(kg)	
	DN <sub>1</sub>	DN <sub>2</sub>	b <sub>1</sub>	b <sub>2</sub>	B <sub>1</sub>	B <sub>2</sub>	L <sub>4</sub>	H≤	L <sub>3</sub>	泵 Pump	含水量 Water content
300-330	350	300	40	36	550	500	655	1430	464	900	100
300-450	400	300	44	36	650	550	730	1430	515	1400	190
300-550	400	300	44	36	700	650	810	1430	585	2097	225
300-710	400	300	48	40	750	650	935	1430	748	2600	275

电机尺寸- Y型电机 Motor dimension- Y type motor

电机极数 Motor pole	泵型号 Pump type	电机型号 Motor type	电机功率 Motor power (kw)	B	h	h <sub>1</sub>	H <sub>1</sub>	L	L <sub>0</sub>	L <sub>1</sub>	L <sub>2</sub>	t	P	L <sub>5</sub>	n-d	电机重量 Motor weight (kg)	底座参考重量 Foundation reference weight (kg)																							
4极(pole)	300-330	225S	37	700	510	810	1115	1540	670	-	450	150	820	6-M20×400	284	250																								
		225M	45					1115	1560						680		845																							
		250M	55					1135	1620						710		930																							
		280S	75					1170	1690						745		1000																							
		280M	90					1170	1750						775		1050																							
		315S	110					1360	1810						805		1270																							
		4极(pole)	300-450					315L	160-200						700		520	870	1420	2030	915	-	450	210	1340	8-M20×400	1240	410												
								355(6KV)	250-315											1295	2570						790		790	1820	8-M20×400	2160	440							
								4极(pole)	300-550											355(6KV)	250-280						950		498	870	1747	2660	820	820	450	210	1820	8-M24×400	2160	440
																				400(6KV)	355-560											1862	2780	860					860	
4极(pole)	300-710	400(6KV)	400-560	950	550	950	1385	3080	960	960	450	230	1940	8-M24×400	2620	480																								
		450(6KV)	630-900					1435	3200	1000					1000		2080	3850																						
		500(6KV)	1120					1490	3380	1040					1040		2550	4420	520																					

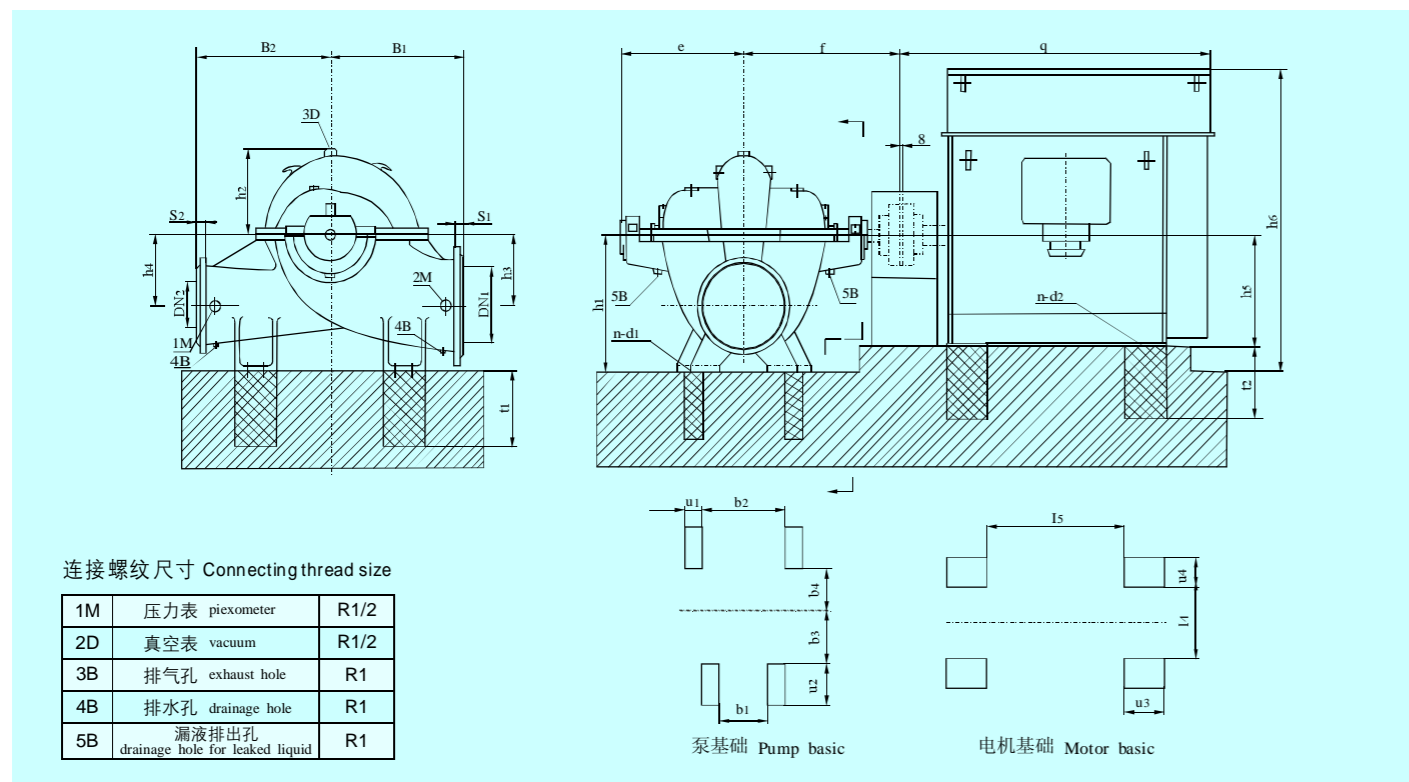




SOW型泵安装尺寸(无底座) SOW TYPE PUMP INSTALLATION DIMENSION(NO FOUNDATION)

500-520至500-1050(见结构图2 See structural drawing 2)

转向: 顺时针 Rotating direction: CW



主要外形尺寸 External dimension

泵型号 Pump type	法兰尺寸 Flange dimension(mm)				泵尺寸 Pump dimension(mm)													泵重量 Pump Weight (kg)				
	DN1	DN2	S1	S2	B1	B2	e	f	h1	h2	h3	h4	b1	b2	b3	b4	n-d1					
500-520	600	500	48	42	850	750	820	1025	900	560	475	475	700	1000	250	290	4-30	3200				
500-650					950	800	910	1095	980	600	495	495			300	340	4-35	4500				
500-710					1050	850	850	1085	1000	620	550	620			390	490		5240				
500-800					56	52	1250	1050	1000	900	900	1210	1050	660	600	600	780	1050	440	540	4-42	4900
500-860									1050	950	920	1210	1100	710	650	650			490	590		5000
500-1050									1250	1050	1090	1360	1150	800	650	650			700(550)	550(400)	8-42	6300

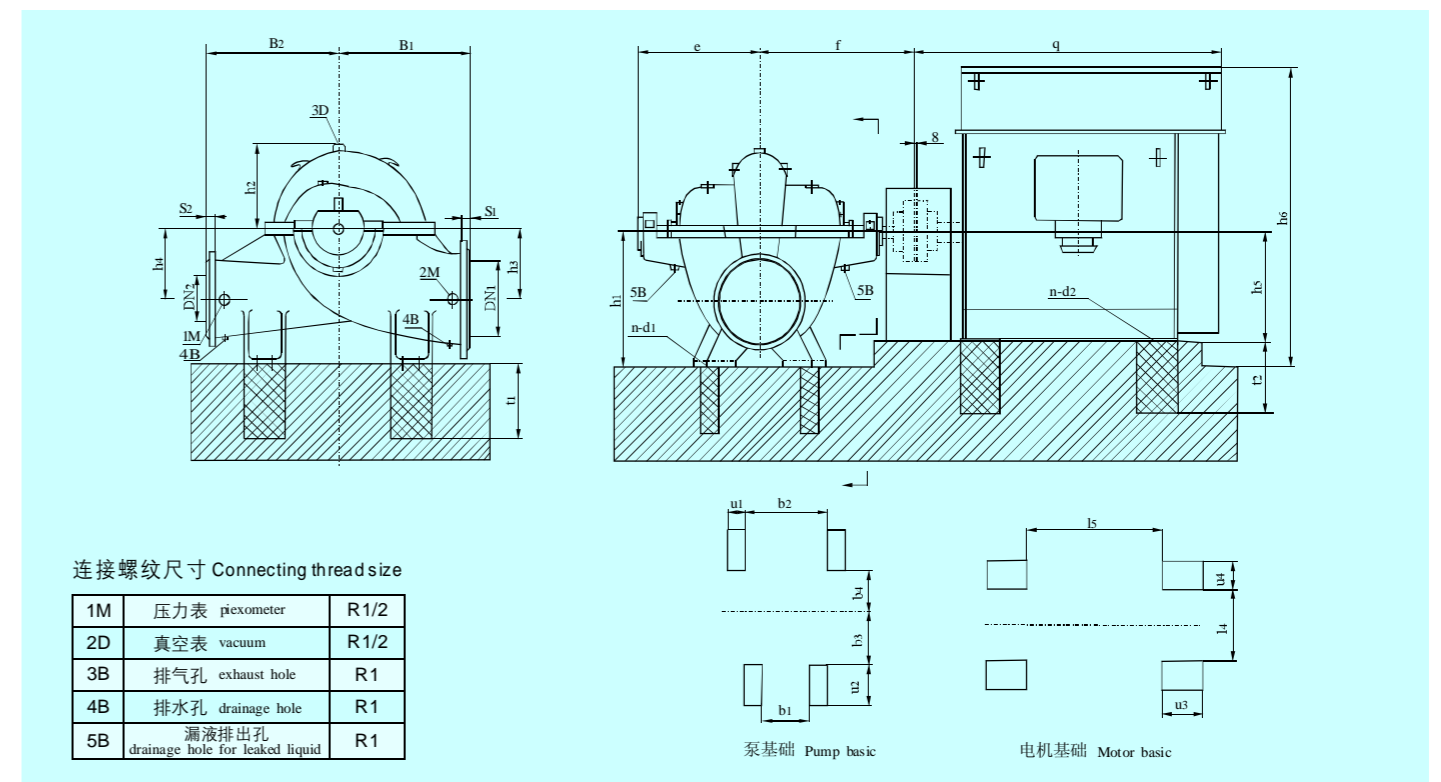
电机尺寸- Y型电机 Motor dimension- Y type motor

电机极数 Motor pole	泵型号 Pump type	电机型号 Motor type	电机功率 Motor power (kw)	l4	l5	h5	h6	u1	u2	u3	u4	t1	t2	n-d2	Q	电机重量 Motor weight (kg)
6极(pole)	500-660	315L	132	268	288	315	1450	130	300	600	150	850	850	4-35	1948	1210
		355M	160-200	370	310	355	1345									1750
		355(6KV)	220	500	335	355	1345									2180
		355(6KV)	250													2290
		400(6KV)	280													2290
		400(6KV)	315													2380
		400(6KV)	355													2490
		400(6KV)	400													2590
		450(6KV)	450													3100
		450(6KV)	500													3300
		450(6KV)	560													3500
		450(6KV)	630													3700
	500(6KV)	710					3880									
	500(6KV)	800					4020									
	500(6KV)	900					4170									
	500(6KV)	1000					4340									
	560(6KV)	1120					4850									
	560(6KV)	1250					5200									
	560(6KV)	1400					5350									
	630(6KV)	1600					6300									

SOW型泵安装尺寸(无底座) SOW TYPE PUMP INSTALLATION DIMENSION(NO FOUNDATION)

600-560至600-860(见结构图2 See structural drawing 2)

转向: 顺时针 Rotating direction: CW



主要外形尺寸 External dimension

泵型号 Pump type	法兰尺寸 Flange dimension(mm)				泵尺寸 Pump dimension(mm)													泵重量 Pump Weight (kg)
	DN1	DN2	S1	S2	B1	B2	e	f	h1	h2	h3	h4	b1	b2	b3	b4	n-d1	
600-560	700	600	54	48	1100	900	885	1080	1100	750	610	610	650	950	400	500	4-35	4500
600-630					1000	1000	840	1060	1050	650	545	545						
600-720					1100	897	1160	1100	612	545	545	750	1050	600	500	4-42	4800	
600-860					1100	1200	1000	1275	1100	760	580						580	

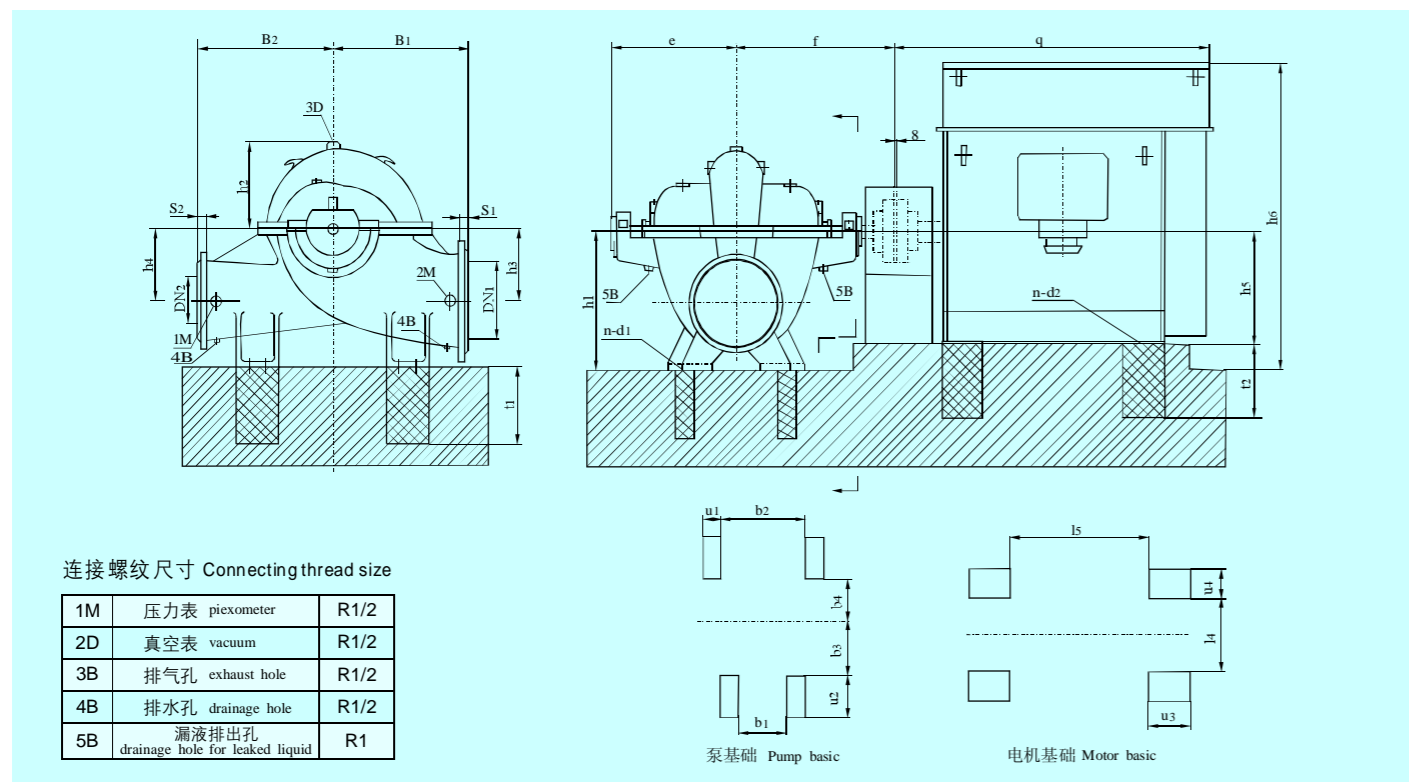
电机尺寸- Y型电机 Motor dimension- Y type motor

电机极数 Motor pole	泵型号 Pump type	电机型号 Motor type	电机功率 Motor power (kw)	l4	l5	h5	h6	u1	u2	u3	u4	t4	t2	n-d2	q	电机重量 Motor weight (kg)	
6极(pole)	600-630	355M	160	370	340	355	1650	150	300	600	150	850	850	4-42	2558	1620	
		355M	200														1750
		355(6KV)	220														2180
		355(6KV)	250														2290
		400(6KV)	280														2290
		400(6KV)	315														2380
		400(6KV)	355														2490
		400(6KV)	400														2590
		450(6KV)	450														3100
		450(6KV)	500														3300
		450(6KV)	560														3500
		450(6KV)	630														3700
	500(6KV)	710						3880									
	500(6KV)	800						4020									
	500(6KV)	900						4170									
	500(6KV)	1000						4340									
	560(6KV)	1120						4850									
	560(6KV)	1250						5200									
	560(6KV)	1400						5350									
	630(6KV)	1600						6300									

SOW型泵安装尺寸(无底座) SOW TYPE PUMP INSTALLATION DIMENSION(NO FOUNDATION)

700-580至700-830(见结构图2 See structural drawing 2)

转向: 顺时针 Rotating direction: CW



主要外形尺寸 External dimension

泵型号 Pump type	法兰尺寸 Flange dimension(mm)				泵尺寸 Pump dimension(mm)													泵重量 Pump Weight (kg)	
	DN1	DN2	S1	S2	B1	B2	e	f	h1	h2	h3	h4	b1	b2	b3	b4	n-d1		
700-580					1300	800	1119	1300	1150	755	600	600	640	940	250	550		4-42	5100
700-700	800	700	58	54	1200	1150	1135	1360	1170	692	620	620	1080	1630	550				6500
700-830						1150	1176	1440	1200	730	630	630	640	940	600	600			6700

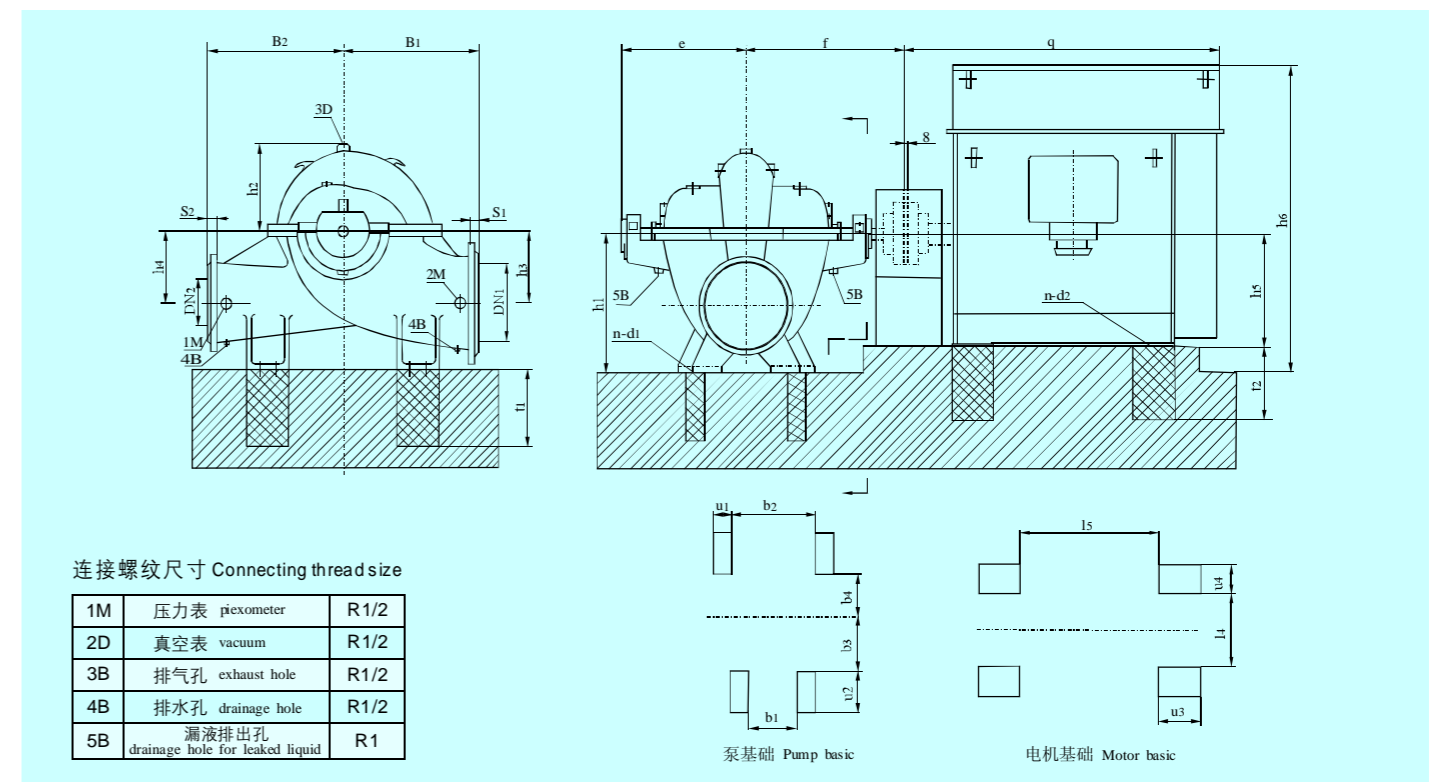
电机尺寸- Y型电机 Motor dimension- Y type motor

电机极数 Motor pole	泵型号 Pump type	电机型号 Motor type	电机功率 Motor power (kw)	l4	l5	h5	h6	u1	u2	u3	u4	t1	t2	n-d2	q	电机重量 Motor weight (kg)
6极(pole)	700-580	400(6KV)	315	580	435	400	1435	150	350	600	130	850	850	4-35	1828	2380
		400(6KV)	355													2490
		400(6KV)	400													2590
		450(6KV)	500													3300
		450(6KV)	560													3500
		450(6KV)	630													3700
	700-700	500(6KV)	710	750	595	500	1640	150	350	655	150	850	850	4-42	2558	3880
		500(6KV)	800													4020
		500(6KV)	900													4170
		500(6KV)	1000													4340
		560(6KV)	1120													4850
		560(6KV)	1400													5100
		630(6KV)	1600													6300
		630(6KV)	2000													6950

SOW型泵安装尺寸(无底座) SOW TYPE PUMP INSTALLATION DIMENSION(NO FOUNDATION)

800-770至800-980(见结构图2 See structural drawing 2)

转向: 顺时针 Rotating direction: CW



主要外形尺寸 External dimension

泵型号 Pump type	法兰尺寸 Flange dimension(mm)				泵尺寸 Pump dimension(mm)													泵重量 Pump Weight (kg)
	DN1	DN2	S1	S2	B1	B2	e	f	h1	h2	h3	h4	b1	b2	b3	b4	n-d1	
800-770						950	1185	1410	1380	765	770	770	740	1040	250	500	4-42	7800
800-880	900	800	62	58	1400	1125	1236	1500	1360	900	770	770	740	1040	500	550	4-55	8300
800-980						1300	1300	1580	1370	920	760	760	740	1040	600	600		9130

电机尺寸- Y型电机 Motor dimension- Y type motor

电机极数 Motor pole	泵型号 Pump type	电机型号 Motor type	电机功率 Motor power (kw)	l4	l5	h5	h6	u1	u2	u3	u4	t1	t2	n-d2	q	电机重量 Motor weight (kg)
8极(pole)	800-770	450(6KV)	400	650	520	450	1585	150	400	600	150	1050	1050	4-35	2128	3180
		450(6KV)	450													3300
		500(6KV)	500													4020
		500(6KV)	560													4170
		500(6KV)	630													4340
		500(6KV)	710													4480
	800-880	560(6KV)	800	830	710	560	1700	150	400	690	170	1050	1050	4-42	2775	5100
		560(6KV)	900													5320
		560(6KV)	1000													5550
		630(6KV)	1120													6660
		630(6KV)	1250													6980
		630(6KV)	1400													7300
		630(6KV)	1600													7580
		-	1800													-
		-	2000													-

运行二年建议备用量 RECOMMENDED RESERVATION FOR 2-YEARS USE

零件名称 Part name	泵数量(包括备用泵) Quantity of pump (including standby pump)							
	1	2	3	4	5	6	8	≥10
	备件数量 Quantity of spare parts							
叶轮 Impeller	-	1	1	2	2	3	3	4
轴 Shaft	-	1	1	2	2	3	3	4
密封环(套) Seal ring (set)	1	1	2	2	3	3	4	5
轴承体甲 Bearing body A	1	1	1	2	2	3	4	5
轴承体乙 Bearing body B	1	1	1	2	2	3	4	5
轴承压盖(套) Bearing gland (set)	1	1	1	2	2	3	4	5
轴承挡圈 Bearing baffle ring	-	1	1	2	2	3	3	4
轴承垫圈 Bearing baffle ring	-	1	1	2	3	4	4	5
联轴器柱销(套) Postal pin of clutch (set)	2	4	6	6	8	8	8	10
挡水圈 Water baffle ring	1	1	1	2	2	3	3	5
轴承(对) Bearing (pair)	1	1	2	2	3	4	4	5
圆螺母(套) Round nut (set)	-	1	1	1	2	2	3	3
轴用弹性挡圈 Shaft used elastic baffle ring	2	2	2	2	2	4	4	5
骨架油封 Frame oil seal	1	1	1	2	2	3	4	5
轴套O型圈(套) O-ring of muff (set)	1	2	3	4	5	6	8	10
轴承压盖O型圈(套) O-ring of bearing gland (set)	1	2	3	4	5	6	8	10
密封体O型圈(套) O-ring of seal body (set)	1	2	3	4	5	6	8	10
叶轮键 Impeller key	-	?	1	1	1	1	2	2
联轴器键 Clutch key	-	?	1	1	1	1	2	2
填料密封体(套) Packing seal body (set)	1	1	1	2	2	3	4	6
填料环(套) Packing ring (set)	2	2	2	3	3	3	4	6
填料轴套(套) Packing muff (set)	2	2	2	3	3	3	4	6
填料压盖(套) Packing gland (set)	2	2	3	3	4	5	6	6
填料(套) Packing (set)	2	4	4	5	6	6	8	10
机封轴套(套) Muff of mechanical seal (set)	2	2	2	3	3	3	4	6
机封密封体(套) Seal body of mechanical seal (set)	1	1	1	2	2	3	4	5
机封压盖(套) Gland of mechanical seal (set)	2	2	3	3	4	5	6	6
机封挡圈(套) Baffle ring of mechanical seal (set)	-	1	1	2	2	3	3	4
机械密封(套) Mechanical seal (set)	1	1	1	2	2	3	4	6
青壳纸(若干) Fish paper (some)	2	4	4	5	6	7	8	10

为了保证克服可能长的和高成本的停工周期，特别是对于重要的维修工作，备有备件是值得推荐的。

It is worth recommending to get spare parts available in order to avoid a shut-down period which is possibly long and of a high cost, especially for an important work of repair.

订货须知

- 必须提供的订货参数：
  - 泵型号及用户所需工况点流量、扬程（包括系统损失）、汽蚀余量参数。
  - 轴封形式（机械密封或填料密封必须注明，不注明则按机械密封结构交货）。
  - 泵的旋转方向（若采用逆时针旋向安装，必须注明，不注明则按顺时针旋向交货）。
  - 电机参数（功率为<200KW的低压电机，一般配用IP44的Y系列电机，当配高压电机时，须注明电机的电压、防护等级、绝缘等级、冷却方式、功率、极数、电机厂家）。
  - 泵壳、叶轮、轴等零件材料（若不注明按标准配置交货）。
  - 介质温度（不注明则按常温介质交货）。
  - 若输送介质是腐蚀性介质或含有固体颗粒时，请提供其特性。
- 选型说明：
  - 用户订货不受样本性能参数所列限制，仅供用户选型参考，可根据用户实际所需流量扬程工作点提供产品。
- 有超越样本内容的特殊选型，请与本公司技术支持联系。
- 若配用高压或特殊电机时，请不要按样本安装尺寸打基础，以本公司提供的图纸为准。

NOTICES AT ORDER

- Parameters necessary to be submitted at order:
  - Pump model and the flow, head (including the system loss), NPSHr at the point of the desired working condition.
  - Type of shaft seal (must be noted either mechanical or packing seal and, if not, delivery of the mechanical seal structure will be made).
  - Moving direction of the pump (must be noted in case of a CCW installation and, if not, delivery of a clockwise installation will be made).
  - Parameters of the motor (Y series motor of IP44 is generally used as the low-voltage motor with a power <200KW and, when to use a high voltage one, please note its voltage, protective rating, insulation class, way of cooling, power, number of polarity and manufacturer).
  - The materials of pump casing, impeller, shaft etc. parts. (delivery with the standard allocation will be made if without being noted).
  - Medium temperature (delivery upon a constant-temperature medium will be made if without being noted).
  - When the medium to be transported is corrosive or contains solid grains, please note the features of it.
- Model selection
  - The performance parameters listed in the catalog are used for reference for users, without being limited thereby, to select the model only and we can provide users with the right product upon the actual required flow, head and working point.
- Please contact with company for technical support in case of a special model selection out of the catalog.
- Please do not make the basis upon the installation dimension in the catalog when to use a high voltage or a special motor and take the drawing submitted by the headquarter of company as the standard.